

SURFACE MOUNT LINE MATCHING TRANSFORMERS AT801 SERIES

FEATURES:

- Subminiature in SMT
- 7.36mm seated height
- Tested at 4600 Vrms, 1minute
- Distortion of only 0.015%
- Vacuum encapsulated
- UL60950 certified
- RoHS compliant *

OPTIONS:

- Tape and reel is standard (400 pcs. per reel)
- Bulk packaging available for smaller quantities
- Custom design available
- Tolerance: 5% is standard, tighter tolerance available

COMMON APPLICATIONS:

- Modems(V32)
- Laptop Computer
- Telecommunications
- Instrumentation
- PCMCIA

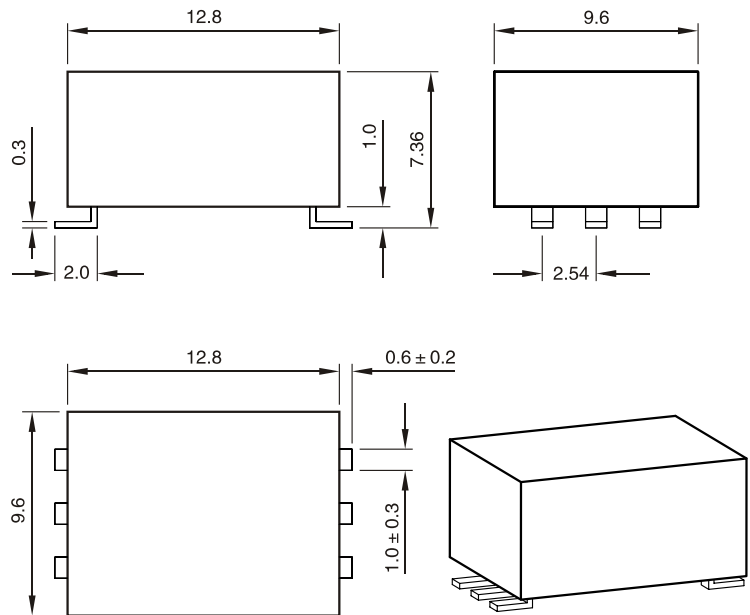
ELECTRICAL CHARACTERISTICS

Nominal Impedance:	600Ω
Turns Ratio:	1:1
Insertion Loss:	2.0dB max. at 2kHz
Frequency Response:	± 0.25dB max. 200–4kHz
Return Loss:	24dB min. 200–4kHz *
Balance:	80dB min.
Distortion:	-76dB max. @600Hz, -10dBm
Dielectric Strength:	4600 Vrms for 1 min.
Insulation Resistance:	100MΩ @500V
DC Resistance * *	
Primary:	115Ω ± 15%
Secondary:	115Ω ± 15%
Shunt Inductance:	3.8H min.
Shunt:	7500Ω min.
Leakage Inductance:	6mH typ. @1kHz
Power Level:	10dBm
Operating Temperature:	-20°C~+85°C
Storage Temperature:	-40°C~+85°C
Terminal Plating Material:	AgSn

* For use with recommended circuit (BS6305 impedance Class A non-speech or Class B speech)

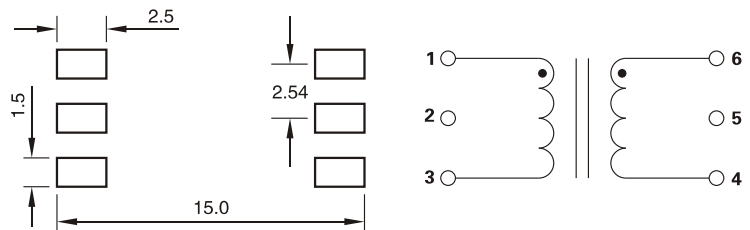
* AT801 is symmetrical, meaning there is no real primary nor secondary winding.

PHYSICAL CHARACTERISTICS



Note: All Dimensions in mm

TECHNICAL INFORMATION



Suggested PCB Layout

Schematic

Note: All Dimensions in mm