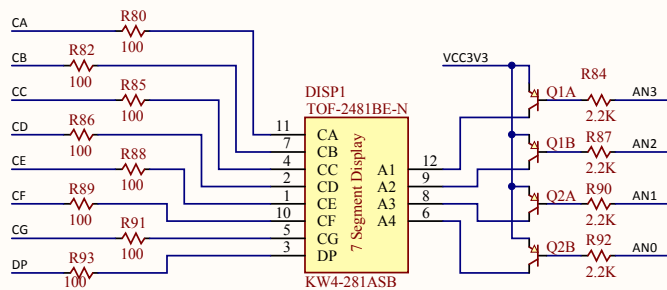
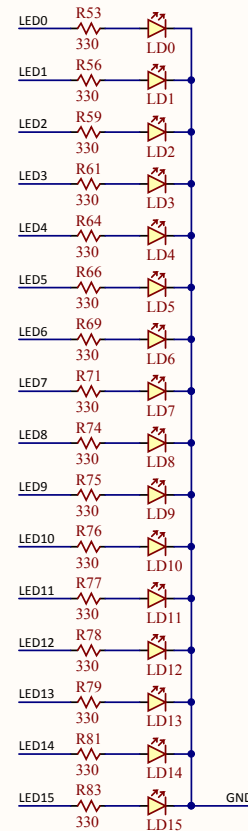
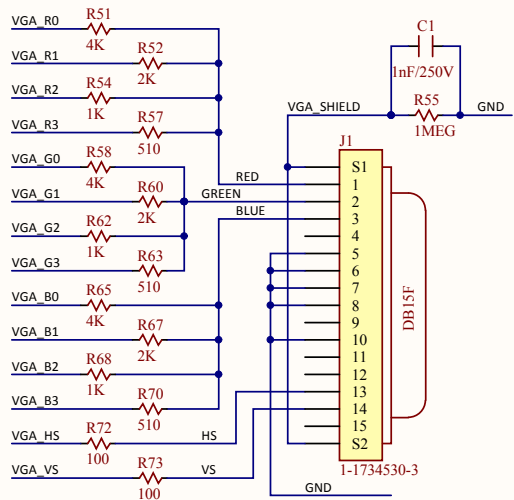


参考資料

- F1 Foot
- F2 Foot
- F3 Foot
- F4 Foot

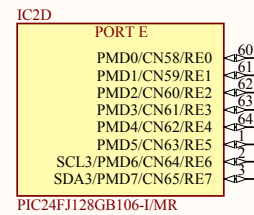
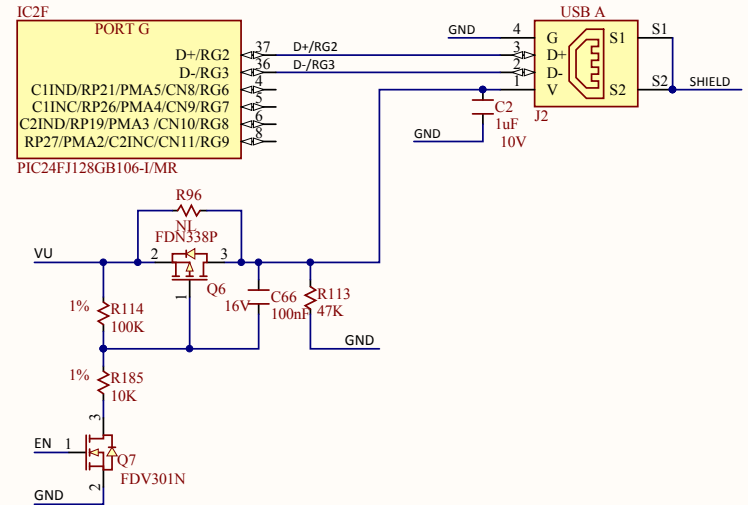
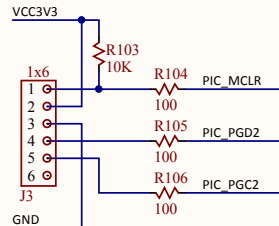
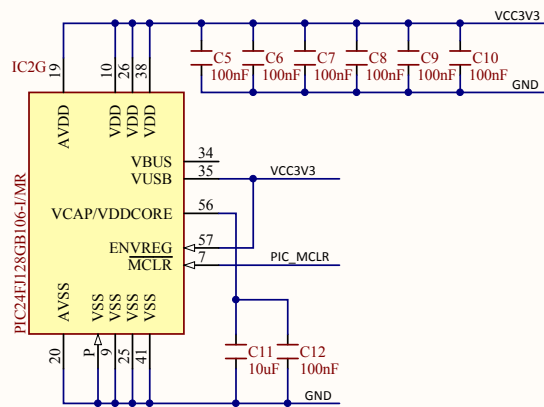
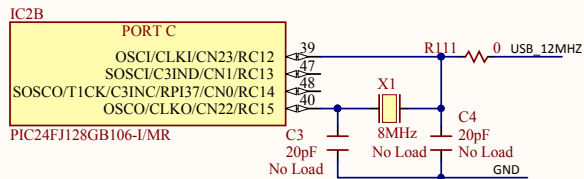
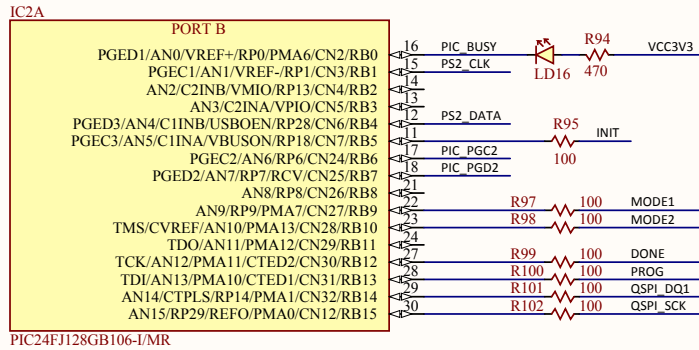
Title Basys 3		Rev C.0
Circuit PMD, I/O		Copyright 2014
Doc#	500-183	
Engineer	MTA	
Author	GMA	
Date	5/21/2014	
Sheet#	1 out of 8	




Title		Rev
Basys 3		C.0
		Copyright 2014
Circuit		
7 SEG, VGA, LEDs		
Doc# 500-183		
Engineer MTA		
Author GMA		
Date 5/21/2014		
Sheet# 2 out of 8		



參考資料



Title	Basys 3	Rev	C.0
Circuit	USB HID	Copyright	2014
Doc#	500-183		
Engineer	MTA		
Author	GMA		
Date	5/21/2014		
Sheet#	3 out of 8		

1

2

3

4

A

A

B

B

C

C

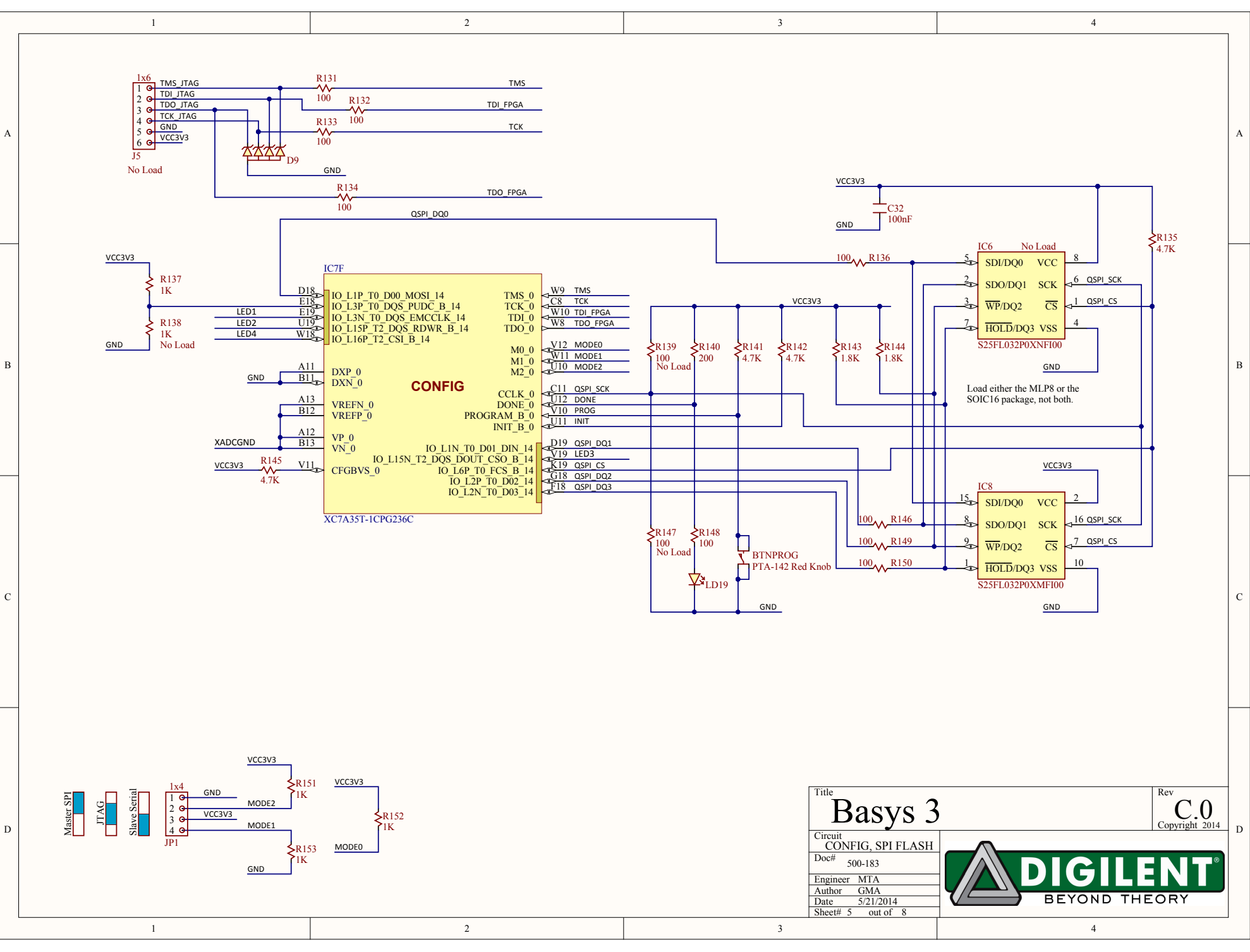
D

D

This page is intentionally left blank

Title		Rev	
Basys 3		C.0	
Circuit		Copyright 2014	
USB PROG/UART			
Doc#	500-183		
Engineer	MTA		
Author	GMA		
Date	5/21/2014		
Sheet#	4	out of 8	



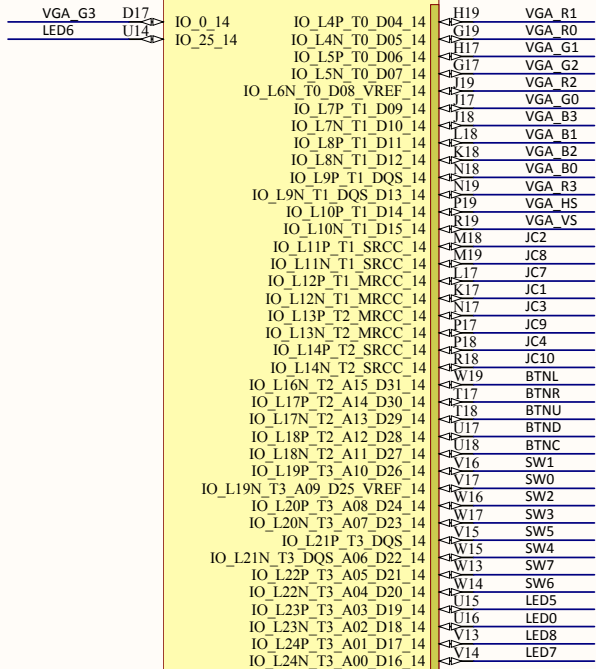


Title		Rev
Basys 3		C.0
Circuit		Copyright 2014
CONFIG, SPI FLASH		
Doc#	500-183	
Engineer	MTA	
Author	GMA	
Date	5/21/2014	
Sheet#	5 out of 8	



IC7A

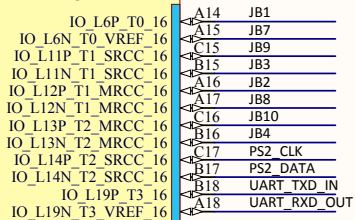
BANK 14



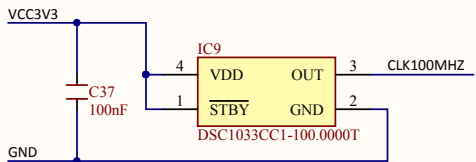
XC7A35T-1CPG236C

IC7B

BANK 16

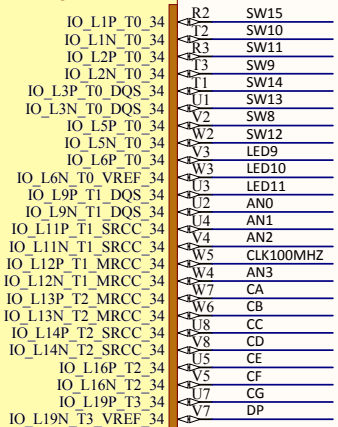


XC7A35T-1CPG236C



IC7C

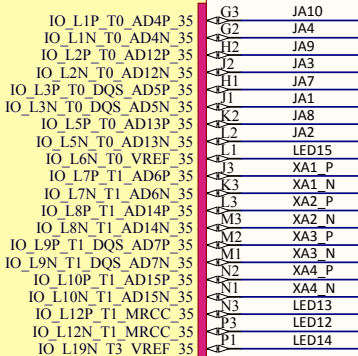
BANK 34



XC7A35T-1CPG236C

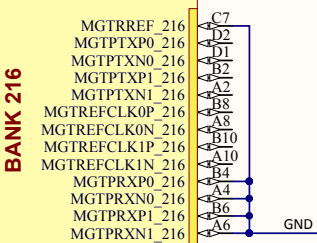
IC7D

BANK 35

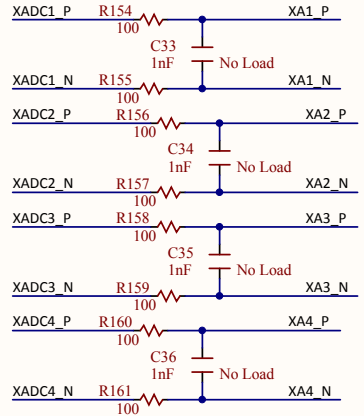


XC7A35T-1CPG236C

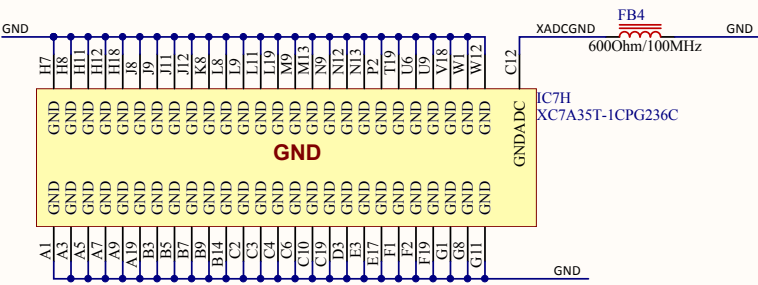
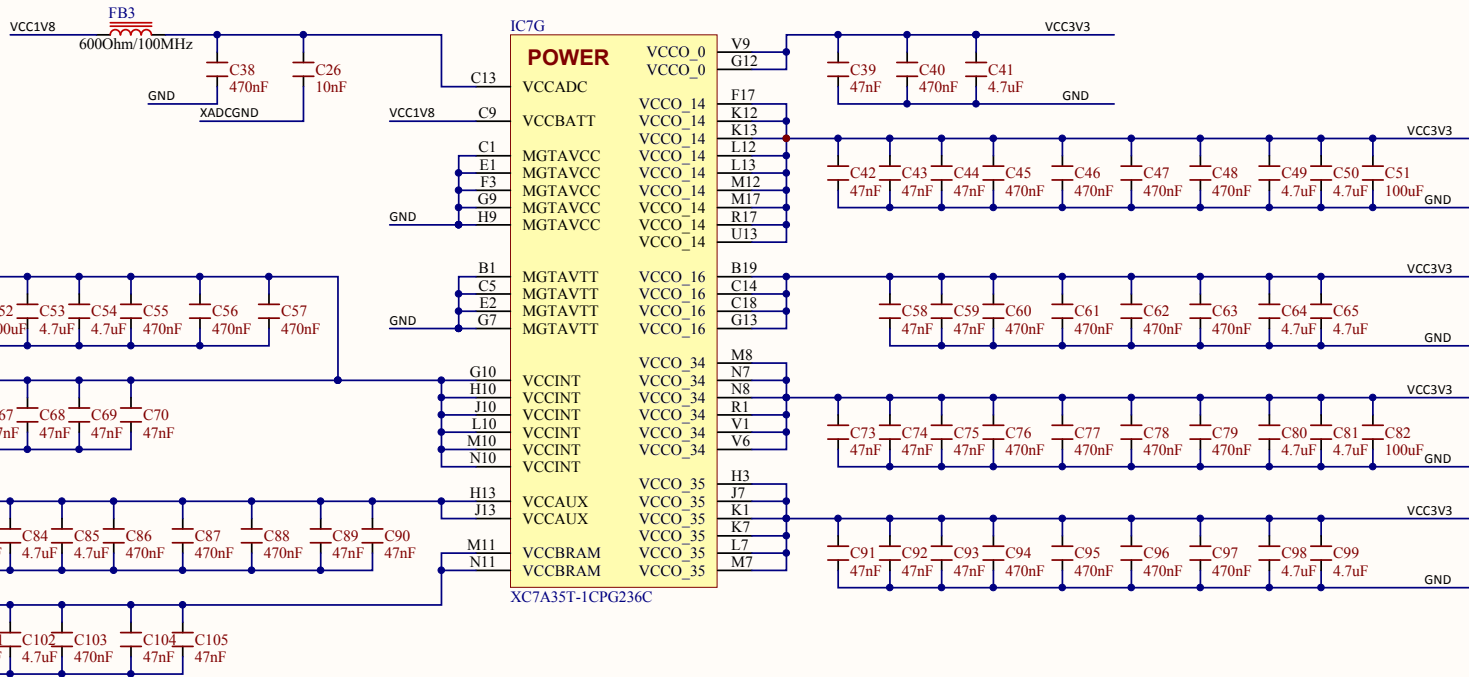
IC7E



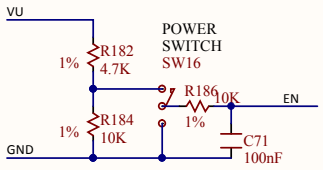
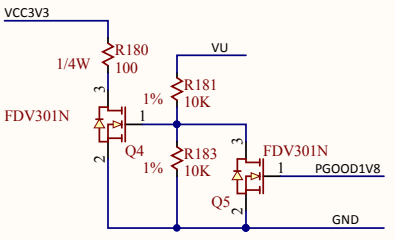
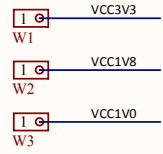
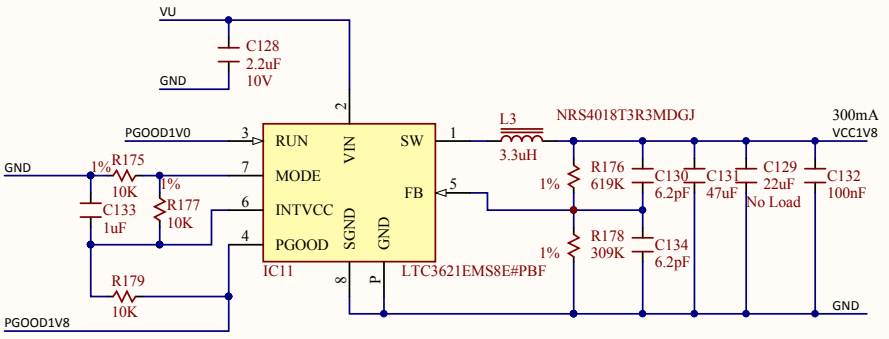
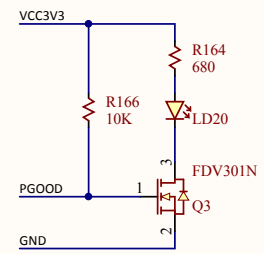
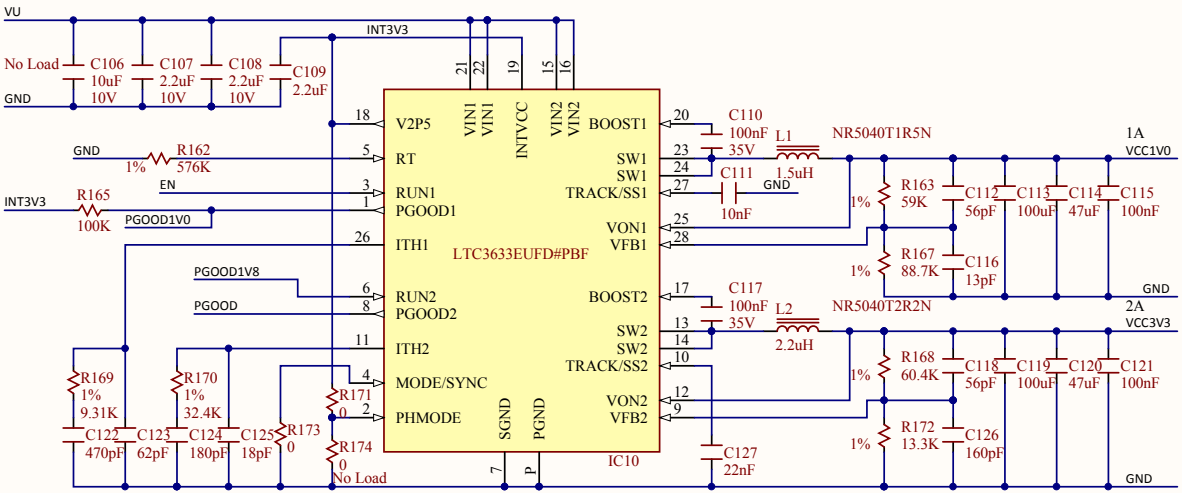
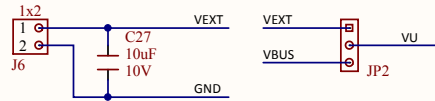
XC7A35T-1CPG236C



Title		Rev	
Basys 3		C.0	
Circuit		Copyright 2014	
FPGA BANKS			
Doc#	500-183		
Engineer	MTA		
Author	GMA		
Date	5/21/2014		
Sheet#	6 out of 8		



Title Basys 3		Rev C.0 Copyright 2014
Circuit FPGA POWER		
Doc# 500-183		
Engineer MTA		
Author GMA		
Date 5/21/2014		
Sheet# 7 out of 8		



Title		Rev	
Basys 3		C.0	
Circuit		Copyright 2014	
POWER			
Doc#	500-183		
Engineer	MTA		
Author	GMA		
Date	5/21/2014		
Sheet#	8 out of 8		