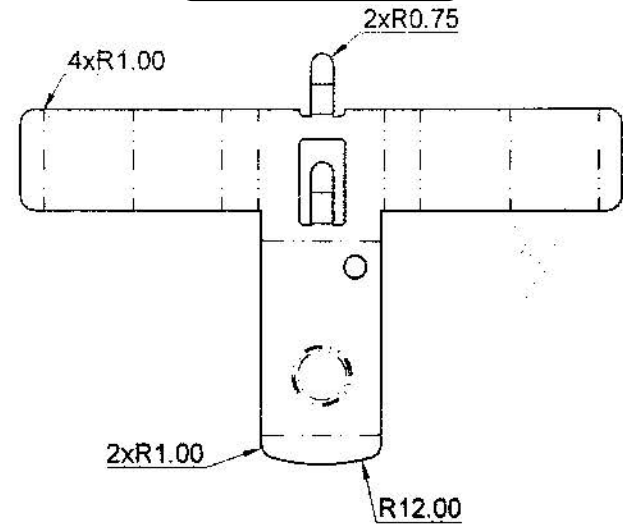
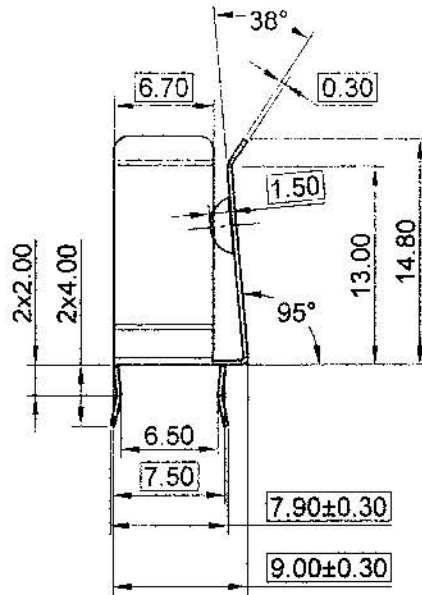
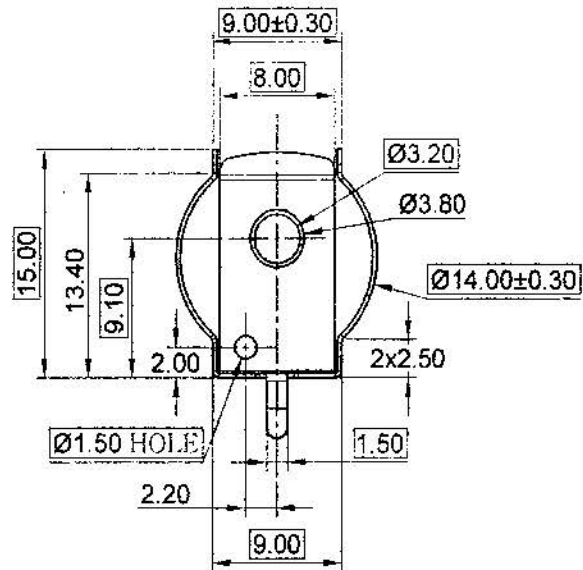
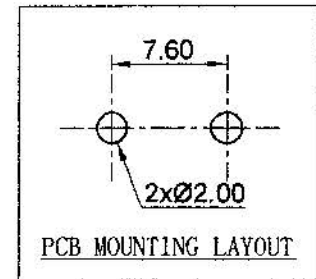
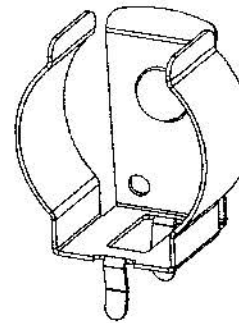
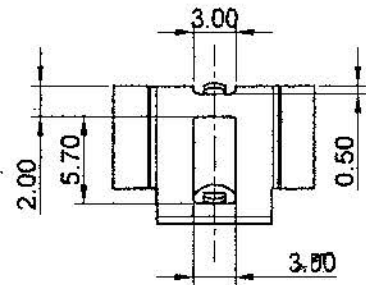


參考資料



UNBEND VIEW



PCB MOUNTING LAYOUT

NOTES

- (1) PART NO. : BC-0302
- (2) MATERIAL: 0.3MM THICK SPRING STEEL NICKEL PLATED
- (3) TOLERANCE: ISO 2768-M, UNLESS OTHERWISE SPECIFIED
- (4) PROCESS CORNER R=0.30MM
- (5) SURFACE NO BURRS, NO GREASE
- (6) RoHS COMPLIANT

3			COMF COMFORTABLE ELECTRONIC CO.LTD.		
2					
1			NAME	BATTERY CLIPS: BC-0302	
NO.	MODIFICATION	DATE	SCALE	2:1	APPD
General Tolerances			UNIT	MM	CHKD
0 ~ >3	± 0.10	30 ~ >120	MAT'L	SEE NOTES	DWN
3 ~ >6	± 0.10	120 ~ >400	DATE	OCT. 06. 2004	DR NO
6 ~ >30	± 0.20	Angle: ± 3°			D ₂ -0302-1004

