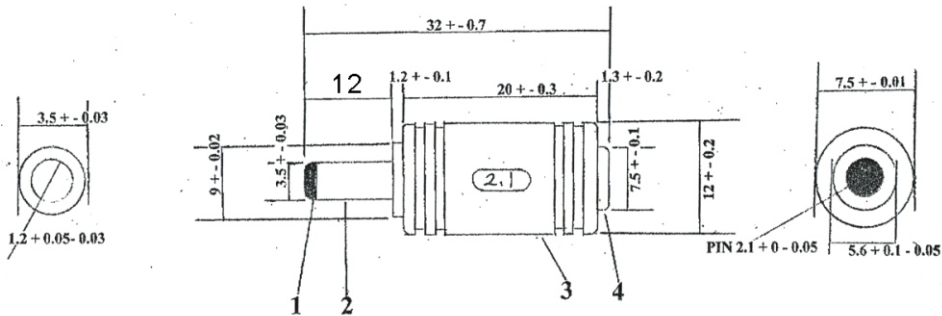


DIMENSIONS ARE IN MILLIMETERS

0.5-5 = ± 0.2 5-30 = ± 0.4 30-120 = ± 0.6 120-315 = ± 1 315-1000 = ± 1.6 1000-2000 = ± 2.4

参考資料



NO:	PART NAME	DESCRIPTION	QTY:
1	INSULATOR	POM	1
2	METAL BODY	BRASS NICKEL	1
3	INSULATOR	PVC	1
4	METAL BODY	BRASS NICKEL	1

APPROVED BY :



Date: 'JAN 14 2015

File No.: GG

UNITED AU-VI CO., LTD.

Description:

DC PLUG ID1.2MM TO DC FEMALE

ID2.1MM

Part No.:

DC-9173

ULTIMAX®
THE ULTIMATE ELECTRONIC COMPONENTS