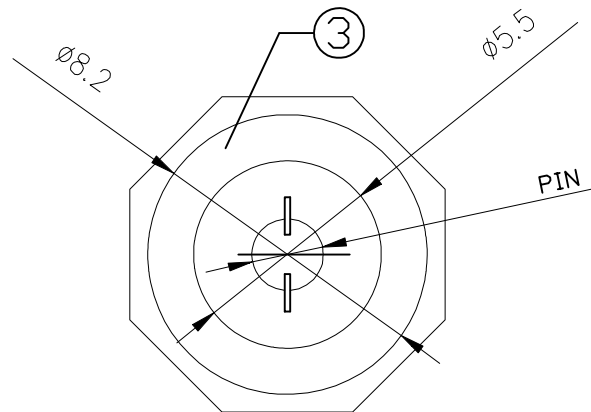
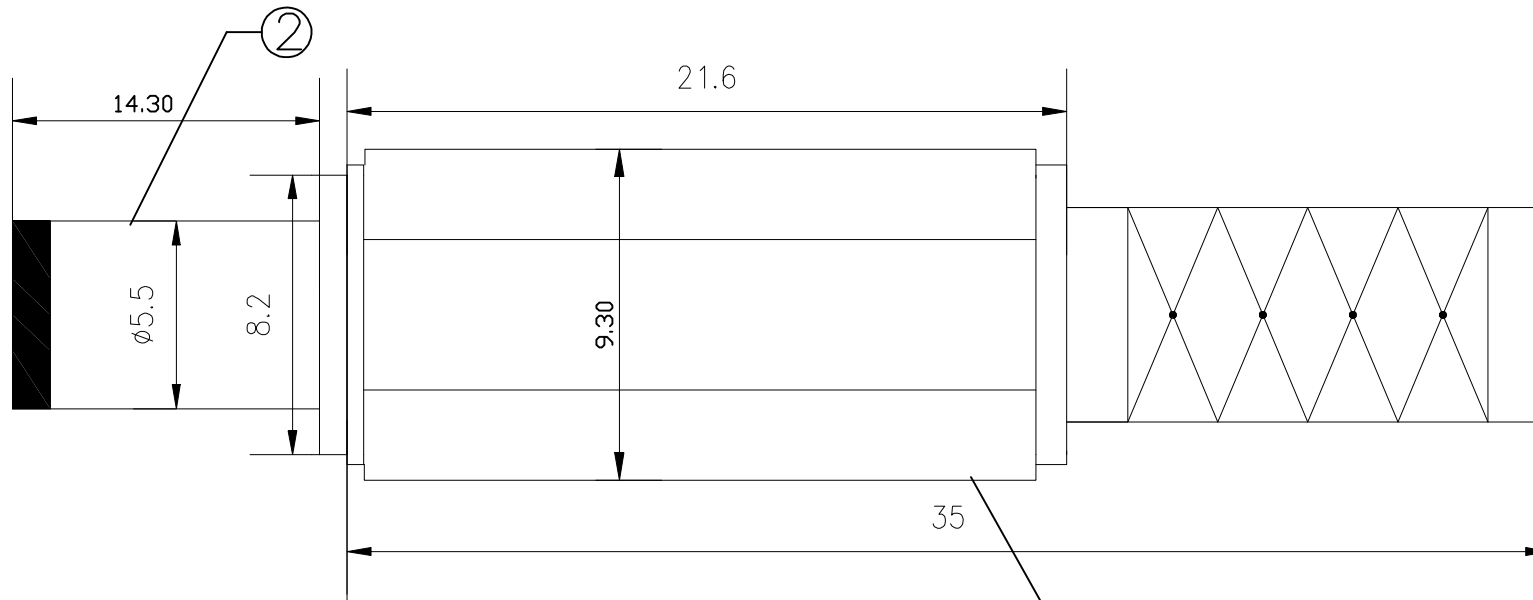


CAD FILE:



Key specification

- 1、Rating: DC 20V 5A MAX;
- 2、Contact resistance: $\leq 50\text{m}\Omega$;
- 3、Insulation resistance: $>100\text{M}\Omega$ DC 500V;
- 4、Dielectric strength: AC 500V 1min;
- 5、Operating life: 5000 10~20次/min;
- 6、Salt spray test: 24H;
- 7、Operating temperature: $-25\sim 85^\circ\text{C}$;

PIN	PIN	PIN
2.1	2.5	3.1

8									
7									
6									
5									
4									
3	BASE	BRASS	1	Ni PLATED	TITLE:DC 插座	UNIT:mm	DRWG. NO.:		
2	PLUG	BRASS	1	Ni PLATED			MODEL	SCALE:4:1	DWN
1	HOUSING	POM	1	BLACK			CHK'D		
NO.	DESCRIPTION	MATERIAL	QTY	PLATING	XIAMEN JINBEILI ELECTRONICS CO.,LTD			APPD.	

TOLERANCE
UNLESS SPECIFIED
WITHIN 1.5: $\pm 0.1\text{mm}$
OVER 1.5: $\pm 0.2\text{mm}$
ANGLES: $\pm 2^\circ$

ISSUE DATE DESCRIPTIONS APPD.