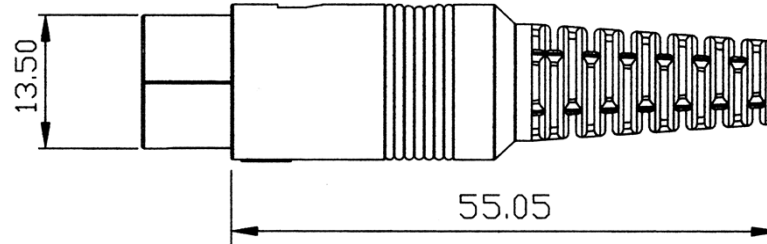
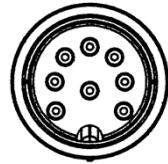
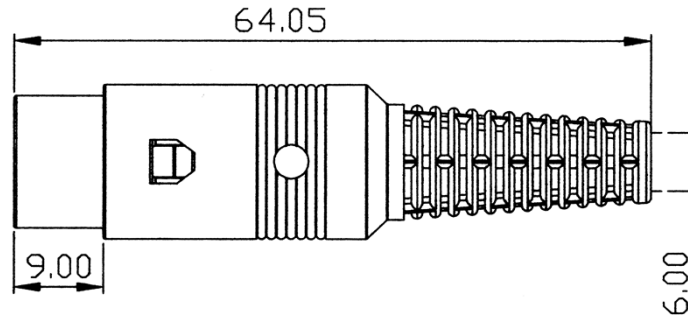
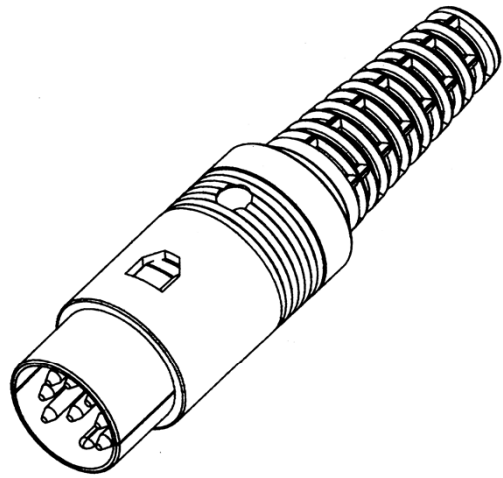



RoHS Compliant



-3	-4	-5A	-5B	-5C	-6	-7	-8	-9

E				Drawn:	General Tolerance			 <b>Useconn Electronics Ltd.</b>	Part No.
D					.0	.00	.000		<b>DIN-PA-XX</b>
C				Checked:	±0.30	±0.15	±0.05		
B					Unit : mm			File No. LSDIN-PA-XX	
A	3-Mar-15	new release	Roy	Appraisal:	Scale :			Title: DIN Plug	
Rev.	Date	File	BY		Sheet : 1/1			For Cable Assembly	