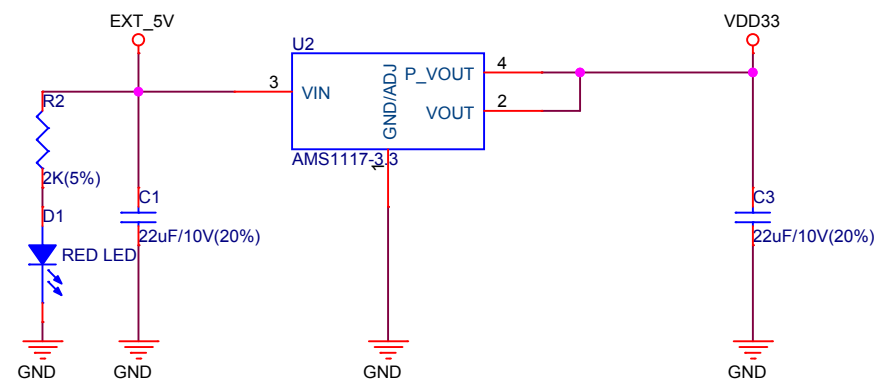
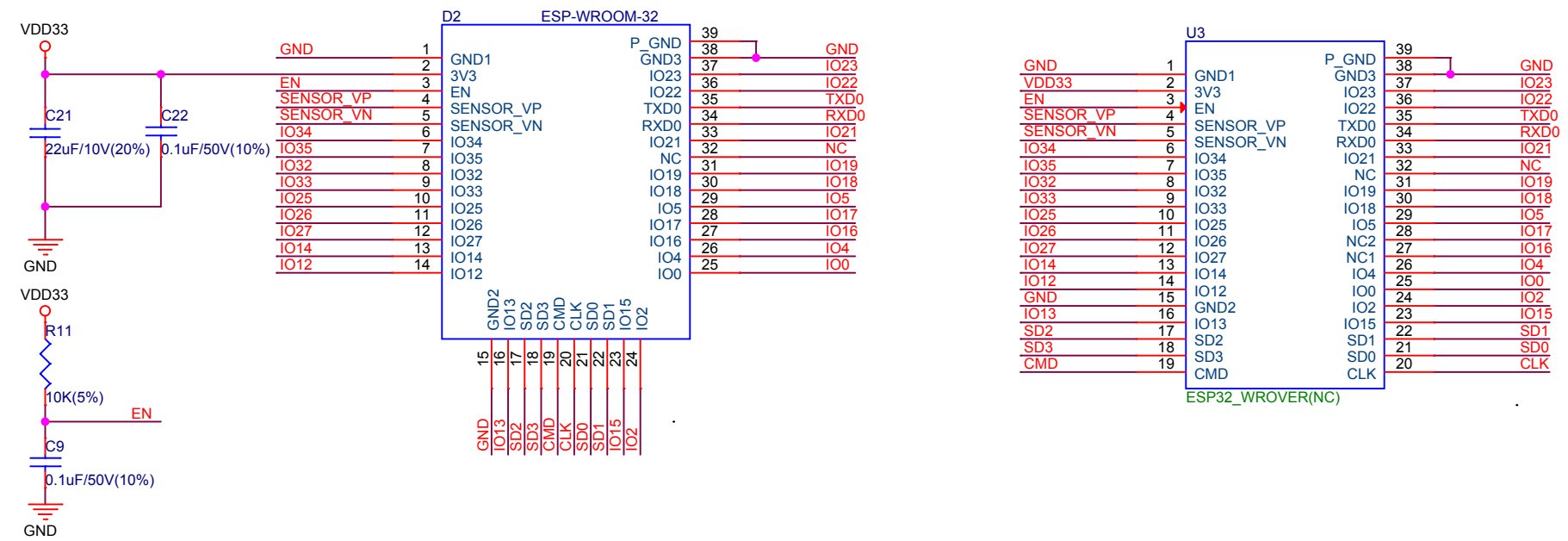


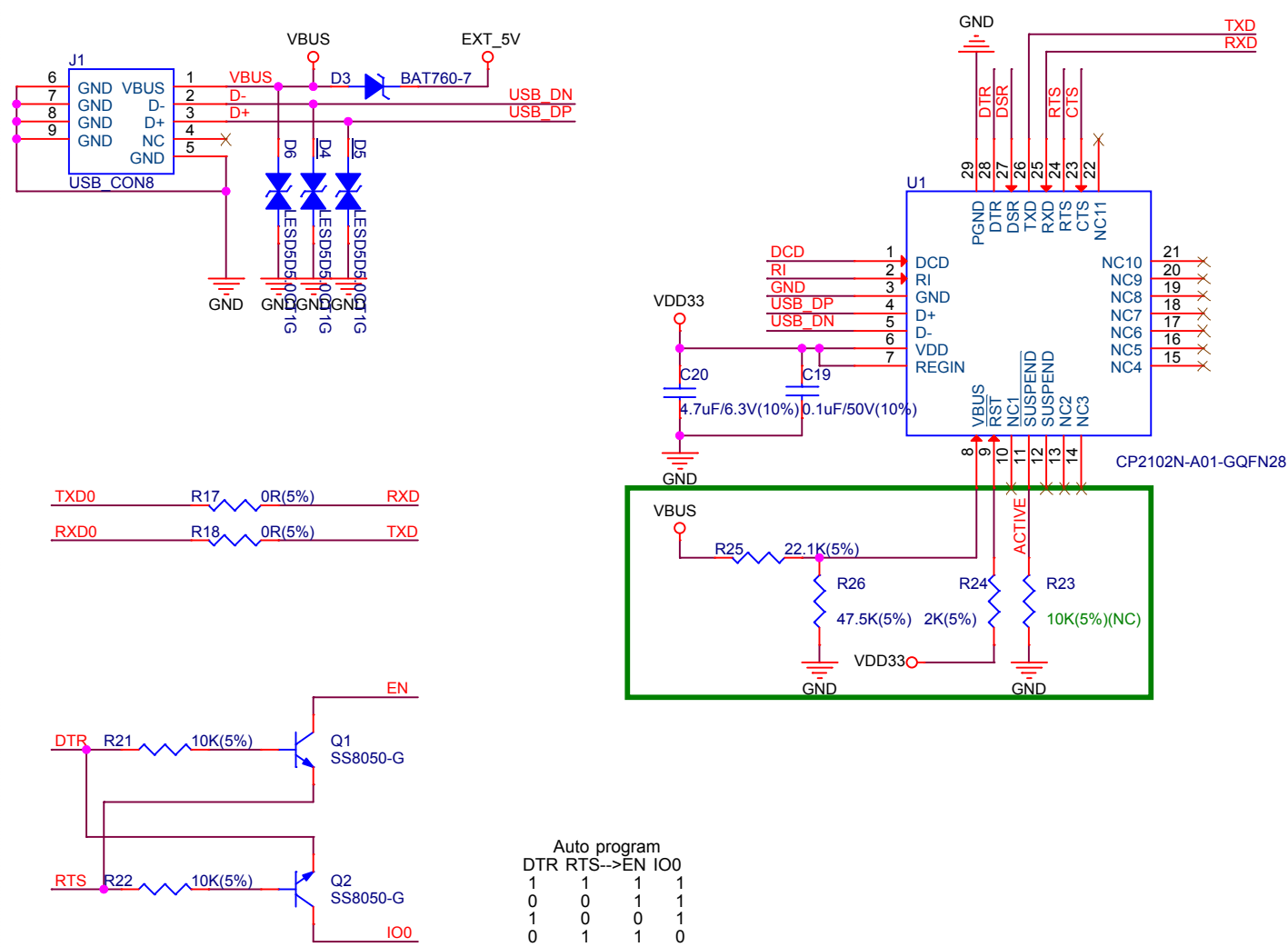
Power Supply



ESP32 Module



Micro USB 5V&USB-UART



SWITCH BUTTON



Connector

