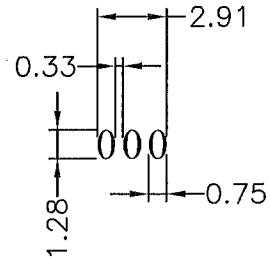
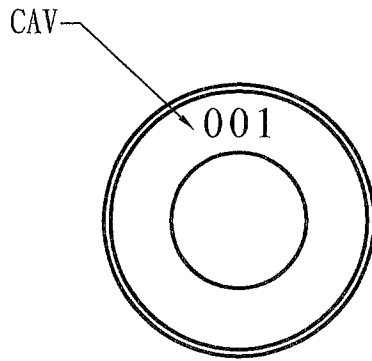
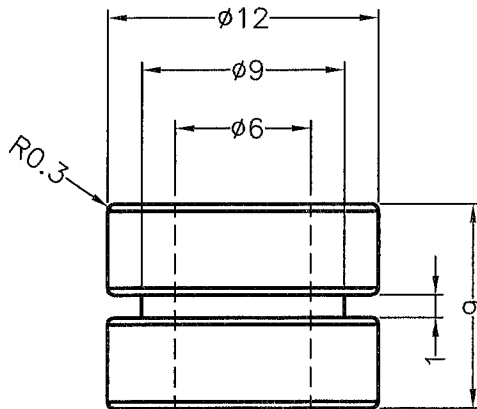


REVISIONS			
REV	DESCRIPTION	DATE	BY

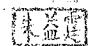


FONT INDENTATION 0.2mm



PART NO.	COLOR
GM-81IW(30)	WHITE
GM-81I3	BLACK


**康揚企業股份有限公司**  
 KANG YANG HARDWARE ENTERPRISE CO., LTD.  
**康揚塑膠(東莞)有限公司**  
 KANG YANG PLASTIC(DONG GUAN) CO., LTD.  
**康哲電腦配件(吳江)有限公司**  
 KANG CHE COMPUTER COMPONENTS(WUJIANG) CO., LTD.

TITLE	GROMMET	SPEC. DWG.
MATERIAL	SILICON RUBBER	DATE 2010.04.12
HARDNESS	30°±5°	DRAWN T.C
COLOR	SEE ABOVE	CHECK 
PART NUMBER SEE ABOVE	DRAWING NUMBER GM-81IW(30)	UNLESS OTHERWISE SPECIFIED TOLERANCE ±0.4
SIZE A4	SCALE 3:1	UNIT mm
REV A	APPROVED 