

GM5YV01210A Series GM5ZV01200A Series/GM5SE01200A Series GM5BC01200AC Series/GM5BC01250AC Series

Chip LED

6050 size
2.5 mm thickness

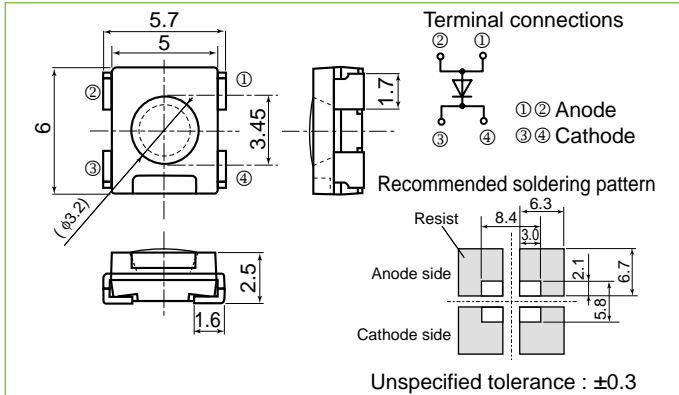


Features

- Outline dimensions : 6.0×5.0×2.5 mm
- Taped products (800 pcs/reel)
- Lead-free (product contains no lead)

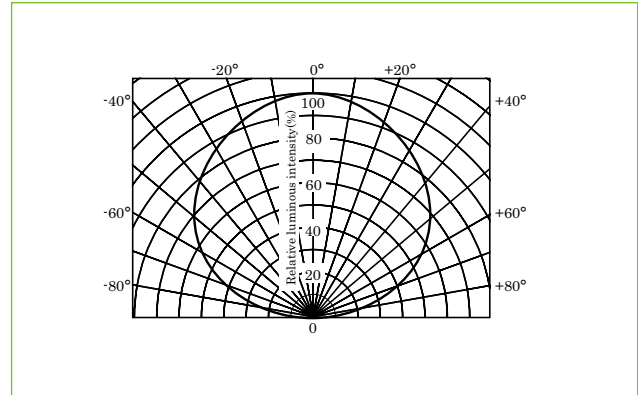
Outline Dimensions

(Unit : mm)



Directive Characteristics

(Ta=25 °C)



Absolute Maximum Ratings

(Ta=25 °C)

Model No.	Material	Power dissipation P (mW)	Forward current I _F (mA)	Peak forward current I _{FM} *1 (mA)	Derating factor (mA / °C)		Reverse voltage V _R (V)	Operating temperature T _{opr} (°C)	Storage temperature T _{stg} (°C)	Soldering temperature T _{sol} *2 (°C)
					DC	Pulse				
GM5Y□01210A series	AlGaInP on GaAs	320	100	120	1.18	1.41	5	-55 to +110	-55 to +110	295
GM5Z□01200A series	AlGaInP on GaAs	200	70	80	0.82	0.94	5	-55 to +110	-55 to +110	295
GM5S□01200A series	AlGaInP on GaAs*4	230*3	70	80	1.17	1.33	5	-30 to +85	-40 to +85	295
GM5BC01200AC	InGaN	330	60	70	1.00	1.17	5	-30 to +85	-40 to +85	295
GM5GC01200AC	InGaN	330	60	70	0.80	0.93	5	-30 to +85	-40 to +100	295
GM5BC01250AC	InGaN	330	60	70	1.00	1.17	5	-30 to +85	-40 to +85	295
GM5GC01250AC	InGaN	336	60	70	0.80	0.93	5	-30 to +85	-40 to +100	295

*1 Duty ratio=1/10, Pulse width=0.1 ms *2 For 3 s or less, Hand soldering. *3 GM5SJ01250AL : 259 *4 GM5SJ01250AL : AlGaInP on GaP

Electro-optical Characteristics

(Ta=25 °C)

Lens type	Model No.	Emitting color	Forward voltage V _F (V)		Peak emission wavelength λ _p (nm) TYP.	Dominant wavelength λ _d (nm) TYP.	Luminous intensity I _v (mcd) TYP.	Spectrum radiation bandwidth Δλ (nm) TYP.	Reverse current I _R (μA) MAX.	V _R (V)	Terminal capacitance		Conditions I _F (mA)	Page for characteristics diagrams
			TYP.	MAX.							Ct (pF) TYP.	(MHz)		
Colorless transparency	GM5YJ01210A	Orange	2.2	3.2	627	619	1 500	18	100	4	-	-	90	54
	GM5YS01210A	Sunset orange	2.2	3.2	612	606	1 700	18	100	4	-	-	90	
	GM5YV01210A	Amber	2.2	3.2	592	589	1 300	18	100	4	-	-	90	
Colorless transparency	GM5ZR01200A	Red	2.2	2.9	647	635	400	18	100	4	-	-	60	53
	GM5ZJ01200A	Orange	2.2	2.9	627	618	500	18	100	4	-	-	60	
	GM5ZS01200A	Sunset orange	2.2	2.9	609	605	700	18	100	4	-	-	60	
	GM5ZV01200A	Amber	2.2	2.9	591	588	500	18	100	4	-	-	60	
Colorless transparency	GM5SR01200A	Red	2.7	3.3	655	638	300	19	100	4	-	-	60	58
	GM5SJ01250AL	Orange	3.0	3.7	641	628	1 050	20	100	4	-	-	60	
	GM5SE01200A	Yellow-green	2.5	3.3	575	573	400	12	100	4	-	-	60	
	GM5SG01200A	Green	2.5	3.3	568	567	200	13	100	4	-	-	60	
Colorless transparency	GM5BC01200AC	Blue	4.6	5.5	467	470	200	27	100	4	-	-	50	60
	GM5GC01200AC	Green	4.4	5.5	513	519	520	39	100	4	-	-	50	
Colorless transparency	GM5BC01250AC	Blue	4.6	5.5	467	470	300	27	100	4	-	-	50	60
	GM5GC01250AC	Green	4.8	5.6	515	519	1 200	39	100	4	-	-	50	

★ Under development

(Notice)

- In the absence of confirmation by device specification sheets, SHARP takes no responsibility for any defects that may occur in equipment using any SHARP devices shown in catalogs, data books, etc.
- Contact SHARP in order to obtain the latest device specification sheets before using any SHARP device.
- Specifications are subject to change without notice for improvement.