

HD14066B

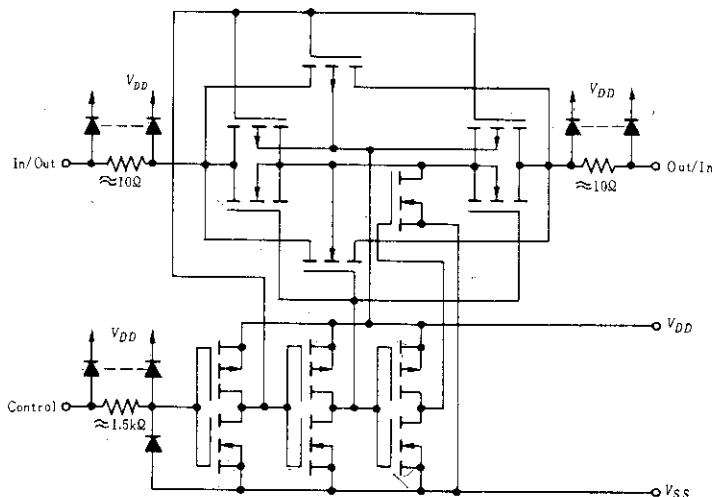
Quadruple Analog Switch/Quadruple Multiplexer

The HD14066B consists of four independent switches capable of controlling either digital or analog signals. This quad bilateral switch is useful in signal gating, chopper, modulator, demodulator and CMOS logic implementation. The HD14066B is designed to be pin-for-pin compatible with the HD14016B, but has much lower ON resistance. Input voltage swings as large as the full supply voltage can be controlled via each independent control input.

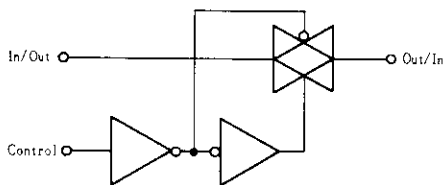
FEATURES

- High On/Off Output Voltage Ratio = 65dB typ.
- Quiescent Current = 0.5nA/pkg typ. @5V
- Low Crosstalk Between Switches = 50dB typ. @8MHz
- Supply Voltage Range = 3 to 18V
- Linearized Transfer Characteristics, $\Delta R_{ON} < 60\Omega$ for $V_{in} = V_{DD}$ to V_{SS} (at 15V)
- Pin-for-Pin Replacement for CD4016/66B and MC14016/66B

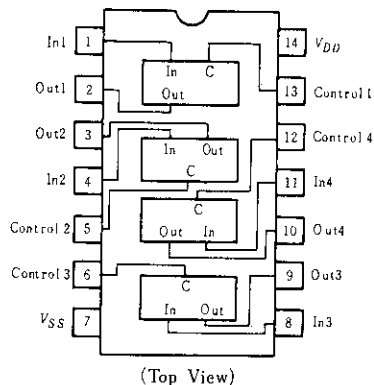
CIRCUIT SCHEMATIC (1/4)



LOGIC DIAGRAM (1/4)



PIN ARRANGEMENT



TRUTH TABLE

Control	Switch
0	OFF
1	ON

$V_{SS} \leq V_{in} \leq V_{DD}$
 $V_{SS} \leq V_{out} \leq V_{DD}$

Vcontrol	V_{in} to V_{out} Resistance
V_{SS}	$> 10^7 \Omega$ typ
V_{DD}	$3 \times 10^2 \Omega$ typ

ELECTRICAL CHARACTERISTICS

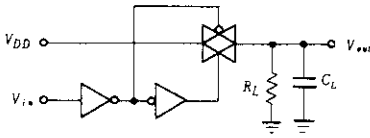
Characteristic	Symbol	V _{DD} (V)	Test Conditions	-40°C		25°C			85°C		Unit	
				min	max	min	typ	max	min	max		
Input Voltage	V _{IL}	5.0	R _L =10kΩ SW入力=V _{DD}	V _O =0.5V	—	1.5	—	2.25	1.5	—	1.5	V
		10		V _O =1.0V	—	3.0	—	4.50	3.0	—	3.0	
		15		V _O =1.5V	—	3.75	—	6.75	3.75	—	3.75	
	V _{IH}	5.0	R _L =10kΩ SW入力=V _{DD}	V _O =1.0V	3.5	—	3.5	2.75	—	3.5	—	V
		10		V _O =1.0V	7.0	—	7.0	5.50	—	7.0	—	
		15		V _O =1.5V	11.25	—	11.25	8.25	—	11.25	—	
Input Current	I _{in}	15		—	±0.3	—	±0.0001	±0.3	—	±1.0	μA	
Input Capacitance	Control	C _{in}	V _{in} =0	—	—	—	5.0	—	—	—	pF	
	Switch Input			—	—	—	8.0	—	—	—		
Output Capacitance	C _{out}	10		—	—	—	8.0	—	—	—	pF	
Feedthrough Capacitance	C _{in-out}	10		—	—	—	0.5	—	—	—	pF	
Quiescent Current	I _Q	5.0	Zero Signal, per Package	—	1.0	—	0.0005	1.0	—	7.5	μA	
		10		—	2.0	—	0.0010	2.0	—	15		
		15		—	4.0	—	0.0015	4.0	—	30		
ON Resistance	R _{ON}	5.0		—	880	—	250	1050	—	1200	Ω	
		10		—	450	—	120	500	—	520		
		15		—	250	—	80	280	—	300		
ΔON Resistance Between Any Two Channels	ΔR _{ON}	5.0		—	—	—	25	—	—	—	Ω	
		10		—	—	—	10	—	—	—		
		15		—	—	—	5.0	—	—	—		
Input/Output Leakage Current		15		—	±300	—	±0.01	±300	—	±1000	nA	

SWITCHING CHARACTERISTICS (C_L=50pF, T_a=25°C)

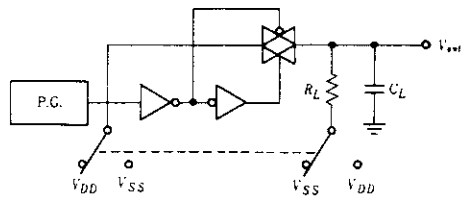
Characteristic	Symbol	V _{DD} (V)	Test Conditions	typ	max	Unit
Propagation Delay Time	t _{PLH} , t _{PHL}	5.0	R _L =10kΩ, V _{SS} =0	20	45	ns
		10		10	30	
		15		7.0	20	
Output Disable Time	t _{HZ}	5.0	R _L =1kΩ, V _{SS} =0	35	100	ns
		10		30	90	
		15		25	75	
	t _{LZ}	5.0		30	90	ns
		10		25	75	
		15		20	60	
Output Enable Time	t _{ZH}	5.0	R _L =1kΩ, V _{SS} =0	60	180	ns
		10		20	60	
		15		15	45	
	t _{ZL}	5.0		60	180	ns
		10		16	50	
		15		14	40	
Sine Wave(Distortion) (V _{SS} =-5V)		5.0	V _{in} =1.77V, R _L =10kΩ, f=1kHz	0.1	—	%
Bandwidth(Switch ON) (V _{SS} =-5V)		5.0	R _L =1kΩ, 20log ₁₀ $\frac{V_{out}}{V_{in}}$ = -3dB	65	—	MHz
Feedthrough(Switch OFF) (V _{SS} =-5V)		5.0	R _L =1kΩ, 20log ₁₀ $\frac{V_{out}}{V_{in}}$ = -50dB	1.0	—	MHz
Crosstalk(Switch A ON, Switch B OFF)(V _{SS} =-5V)		5.0	R _L =1kΩ, 20log ₁₀ $\frac{V_{out(B)}}{V_{in(A)}}$ = -50dB	8.0	—	MHz
Crosstalk(Control Input-Signal Output)(V _{SS} =-5V)		5.0		50	—	mV
Maximum Control Frequency		5.0	V _{SS} =0, 20log ₁₀ $\frac{V_{out}}{V_{in}}$ = -6dB	6.0	—	MHz
		10		8.0	—	
		15		8.5	—	

■ DC CHARACTERISTIC TEST CIRCUIT

1. Input Voltage

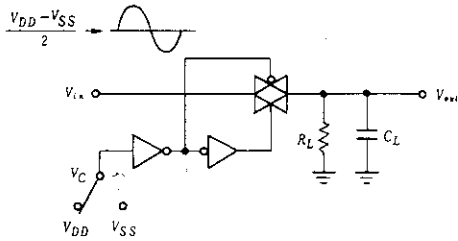


2. Propagation Delay Time



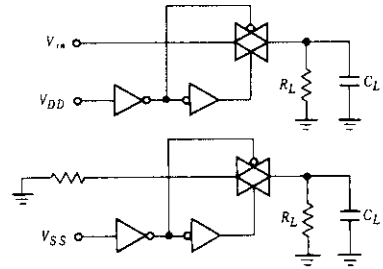
3. Bandwidth, Feedthrough

$V_C = V_{DD}$ for Bandwidth Test
 $V_C = V_{SS}$ for Feedthrough Test

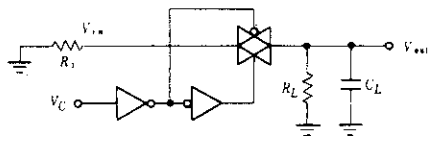


4. Crosstalk

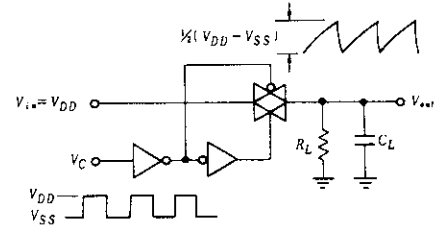
$$\frac{V_{DD} - V_{SS}}{2}$$



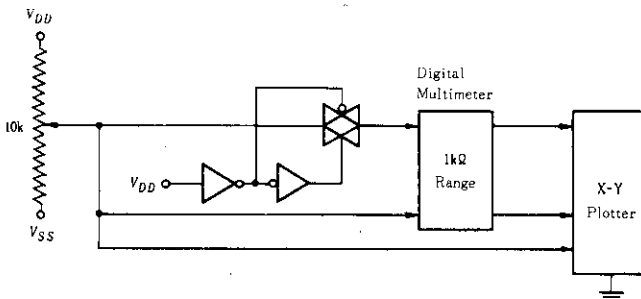
5. Crosstalk

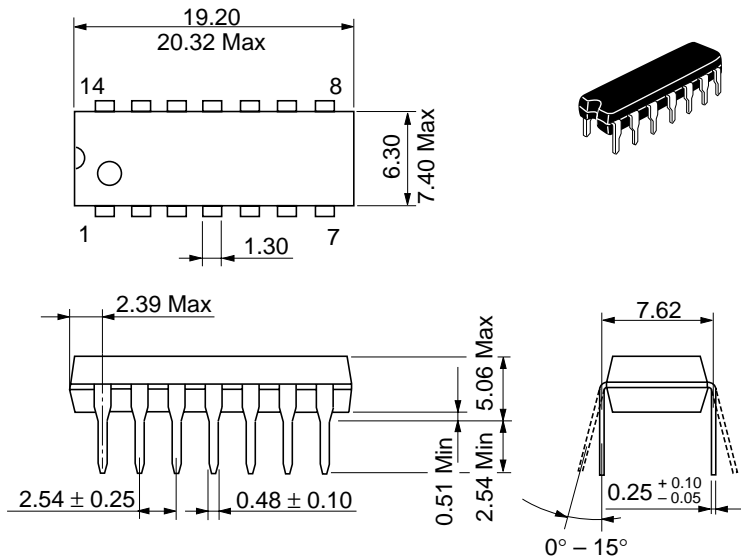


6. Maximum Control Frequency

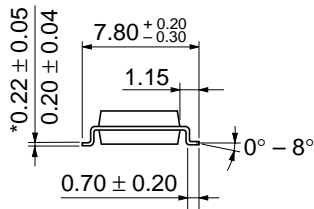


7. ON Resistance





Hitachi Code	DP-14
JEDEC	Conforms
EIAJ	Conforms
Weight (reference value)	0.97 g



*Dimension including the plating thickness
Base material dimension

Hitachi Code	FP-14DA
JEDEC	—
EIAJ	Conforms
Weight (reference value)	0.23 g



Hitachi Code	FP-14DN
JEDEC	Conforms
EIAJ	Conforms
Weight (reference value)	0.13 g

Cautions

1. Hitachi neither warrants nor grants licenses of any rights of Hitachi's or any third party's patent, copyright, trademark, or other intellectual property rights for information contained in this document. Hitachi bears no responsibility for problems that may arise with third party's rights, including intellectual property rights, in connection with use of the information contained in this document.
2. Products and product specifications may be subject to change without notice. Confirm that you have received the latest product standards or specifications before final design, purchase or use.
3. Hitachi makes every attempt to ensure that its products are of high quality and reliability. However, contact Hitachi's sales office before using the product in an application that demands especially high quality and reliability or where its failure or malfunction may directly threaten human life or cause risk of bodily injury, such as aerospace, aeronautics, nuclear power, combustion control, transportation, traffic, safety equipment or medical equipment for life support.
4. Design your application so that the product is used within the ranges guaranteed by Hitachi particularly for maximum rating, operating supply voltage range, heat radiation characteristics, installation conditions and other characteristics. Hitachi bears no responsibility for failure or damage when used beyond the guaranteed ranges. Even within the guaranteed ranges, consider normally foreseeable failure rates or failure modes in semiconductor devices and employ systemic measures such as fail-safes, so that the equipment incorporating Hitachi product does not cause bodily injury, fire or other consequential damage due to operation of the Hitachi product.
5. This product is not designed to be radiation resistant.
6. No one is permitted to reproduce or duplicate, in any form, the whole or part of this document without written approval from Hitachi.
7. Contact Hitachi's sales office for any questions regarding this document or Hitachi semiconductor products.

HITACHI

Hitachi, Ltd.

Semiconductor & Integrated Circuits.
Nippon Bldg., 2-6-2, Ohte-machi, Chiyoda-ku, Tokyo 100-0004, Japan
Tel: Tokyo (03) 3270-2111 Fax: (03) 3270-5109

URL North America : <http://semiconductor.hitachi.com/>
 Europe : <http://www.hitachi-eu.com/hel/ecg>
 Asia (Singapore) : <http://www.has.hitachi.com.sg/grp3/sicd/index.htm>
 Asia (Taiwan) : http://www.hitachi.com.tw/E/Product/SICD_Frame.htm
 Asia (HongKong) : <http://www.hitachi.com.hk/eng/bo/grp3/index.htm>
 Japan : <http://www.hitachi.co.jp/Sicd/indx.htm>

For further information write to:

Hitachi Semiconductor
(America) Inc.
179 East Tasman Drive,
San Jose, CA 95134
Tel: <1> (408) 433-1990
Fax: <1> (408) 433-0223

Hitachi Europe GmbH
Electronic components Group
Dornacher Straße 3
D-85622 Feldkirchen, Munich
Germany
Tel: <49> (89) 9 9180-0
Fax: <49> (89) 9 29 30 00

Hitachi Europe Ltd.
Electronic Components Group.
Whitebrook Park
Lower Cookham Road
Maidenhead
Berkshire SL6 8YA, United Kingdom
Tel: <44> (1628) 585000
Fax: <44> (1628) 778322

Hitachi Asia Pte. Ltd.
16 Collyer Quay #20-00
Hitachi Tower
Singapore 049318
Tel: 535-2100
Fax: 535-1533

Hitachi Asia Ltd.
Taipei Branch Office
3F, Hung Kuo Building, No.167,
Tun-Hwa North Road, Taipei (105)
Tel: <886> (2) 2718-3666
Fax: <886> (2) 2718-8180

Hitachi Asia (Hong Kong) Ltd.
Group III (Electronic Components)
7/F., North Tower, World Finance Centre,
Harbour City, Canton Road, Tsim Sha Tsui,
Kowloon, Hong Kong
Tel: <852> (2) 735 9218
Fax: <852> (2) 730 0281
Telex: 40815 HITEC HX

Copyright ' Hitachi, Ltd., 1999. All rights reserved. Printed in Japan.

HITACHI