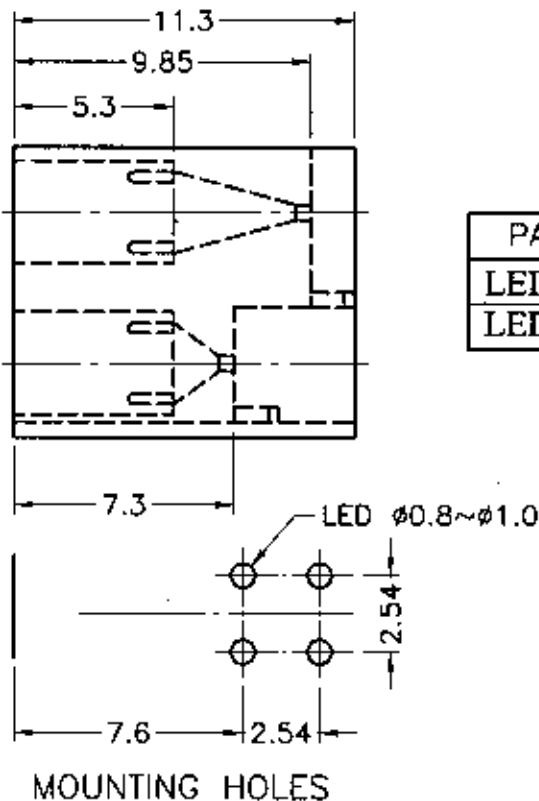
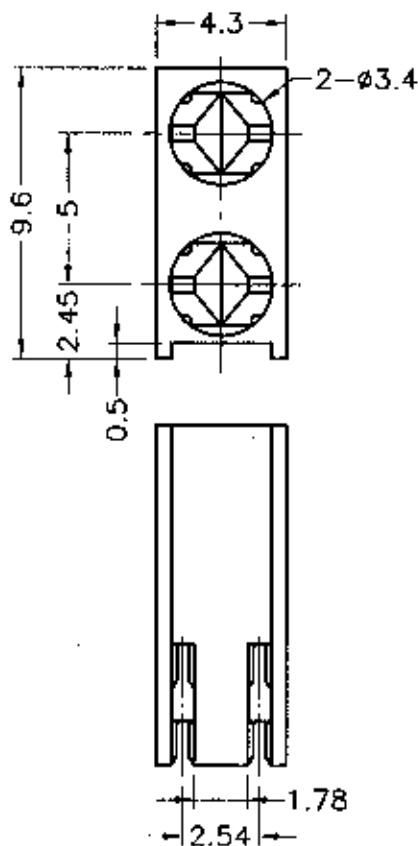


成型尺寸	公差
5mm以下	±0.2
5~20mm	±0.3
20~40mm	±0.4
40~60mm	±0.5
60~100mm	±0.8
100mm以上	±1.0

REVISIONS			
REV	DESCRIPTION	DATE	BY



PART NO.	COLOR
LED-323	BLACK
LED-323(G)	GRAY

QF 22 Component Plastics Friday, October 24, 2003 54:57:36

E I DUPONT DE NEMOURS & CO INC
ENGINEERING POLYMERS CHEMIST RUN PLAZA PO BOX 00713 WILMINGTON DE 19880

General Description: 101(+)(FL), 102P(+)(FL), 103L(+)(FL), E101(-)(FL), E102L(FL), 103P(+)(FL), 103P(+)(D)

Product Description: Polyamide 66 (PA66), designated "Zytel" A, marked as follows:

Color	Min. Thick. (mm)	Flame Class	HWI	HAI	RTI Elec	RTI Imp	RTI Str	IEC GWIT	IEC GWIT
ALL	0.75	V-2	4	0	150	75	35	725	360
	1.0	V-2	3	0	130	75	35	750	350
	3.0	V-2	2	0	130	75	35	800	350
	6.0	V-2	2	0	130	75	35	-	-



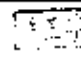
CTI: 0 HVTR: 0 D495: 5 IEC Ball Pressure (N): -

Dielectric Strength (kV/mm): 14 Volume Resistance (10¹¹ohm-cm): 14 Dimensional Stability (%): -
 ISO Tensile Strength (MPa): - ISO Flexural Strength (MPa): - ISO Heat Defect (mm): -
 IZOP Tensile Impact (KJ/m²): - ISO Heat Defect (mm): - ISO Charpy Impact (KJ/m²): -

(+) Sign (+) and sign (-) up to 50% by weight moisture, have the same lower material characteristics.
 (FL) Suitable for outdoor use with respect to exposure to UV, Ambient Light, Water Exposure and Temperature (according to IEC 60745)
 (D) (1) Material designation that are color pigmented may be followed by suffix letters and numbers (2) Material designations may be prefixed by "ZYT" or "HN" or "ZEN" or "DEL" or "URA" or "RYM".

Report Date: 7/29/1998 In-ventures Laboratories Inc.

UL 94 and scale test data does not pertain to building materials. Finishing and fire code contents. UL 94 and scale test data is provided solely for determining the flammability of plastic materials used in computer and data processing devices and appliances, where the acceptability of the combination is determined by UL.

 <p>康揚企業股份有限公司 KANG YANG HARDWARE ENTERPRISE CO., LTD. 東莞康揚塑膠五金電子廠 DONG GUAN KANG YANG PLASTIC HARDWARE COMPANY 康哲電腦配件(吳江)有限公司 KANG CHEE COMPUTER COMPONENTS(WUJIANG) CO., LTD.</p>		TITLE	90° LED間隔柱	產品規格圖面	
		MATERIAL	NYLON 66 UL94V-2	DATE	2002.05.03
		FINISH		DRAWN	S.J.C.
		COLOR	SEE ABOVE	CHECK	
PART NUMBER	DRAWING NUMBER	UNLESS OTHERWISE SPECIFIED TOLERANCE	SEE ABOVE	APPROVED	
SEE ABOVE	LED-323	SIZE	A4	SCALE	4:1
UNIT	mm	REVISION	A		