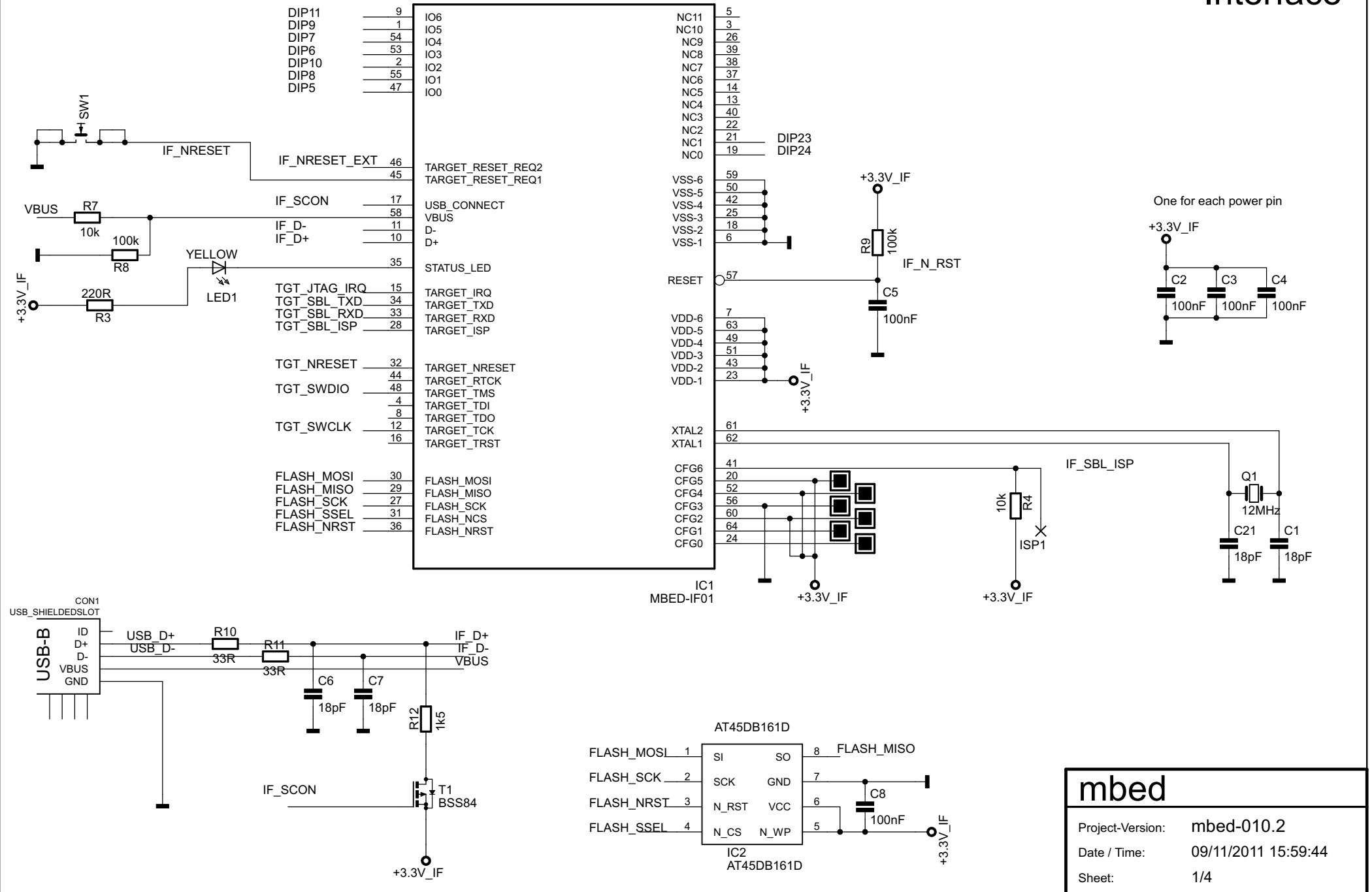


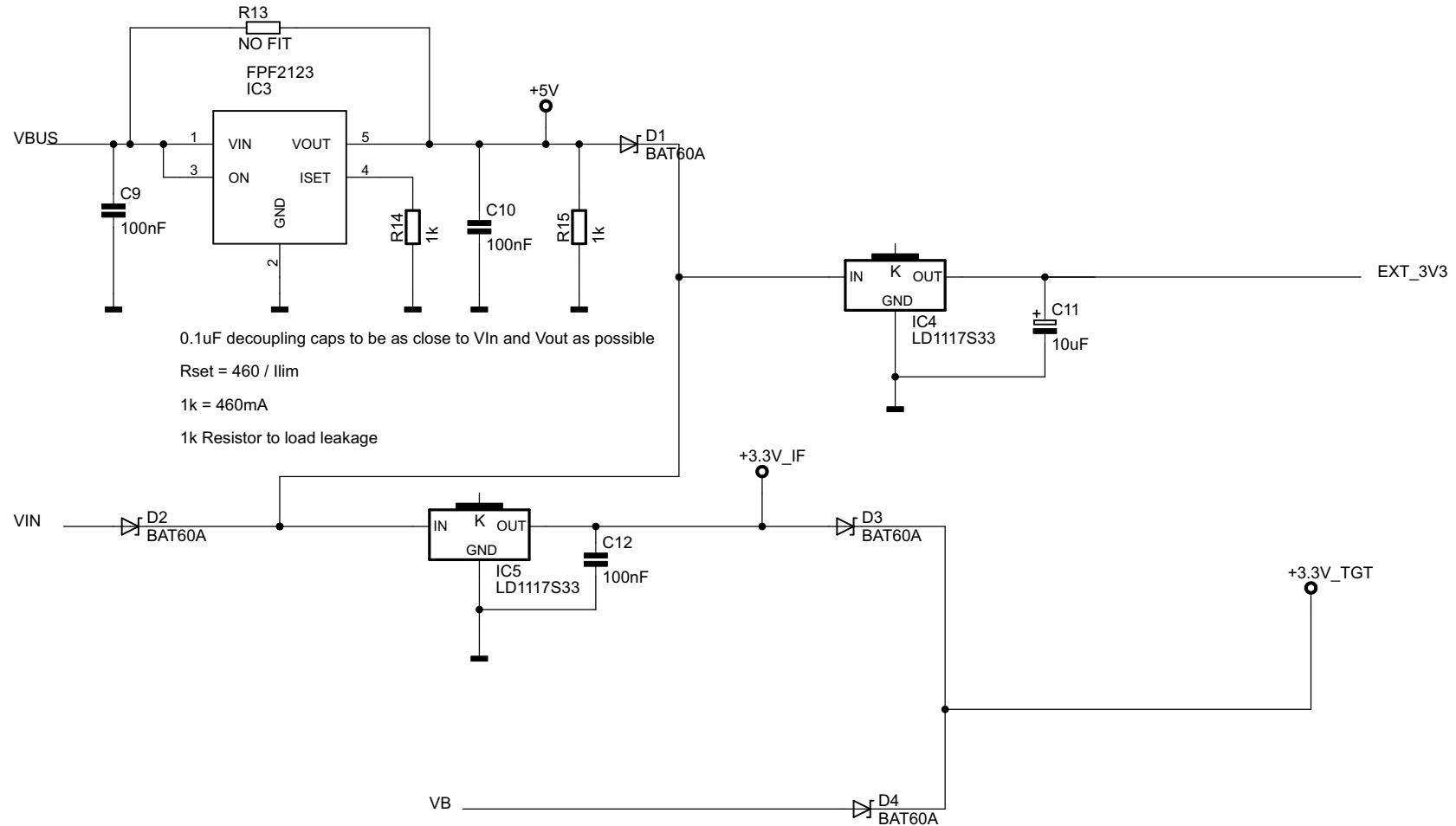
# Interface



<b>mbed</b>	
Project-Version:	mbed-010.2
Date / Time:	09/11/2011 15:59:44
Sheet:	1/4

# Power Supply Circuits

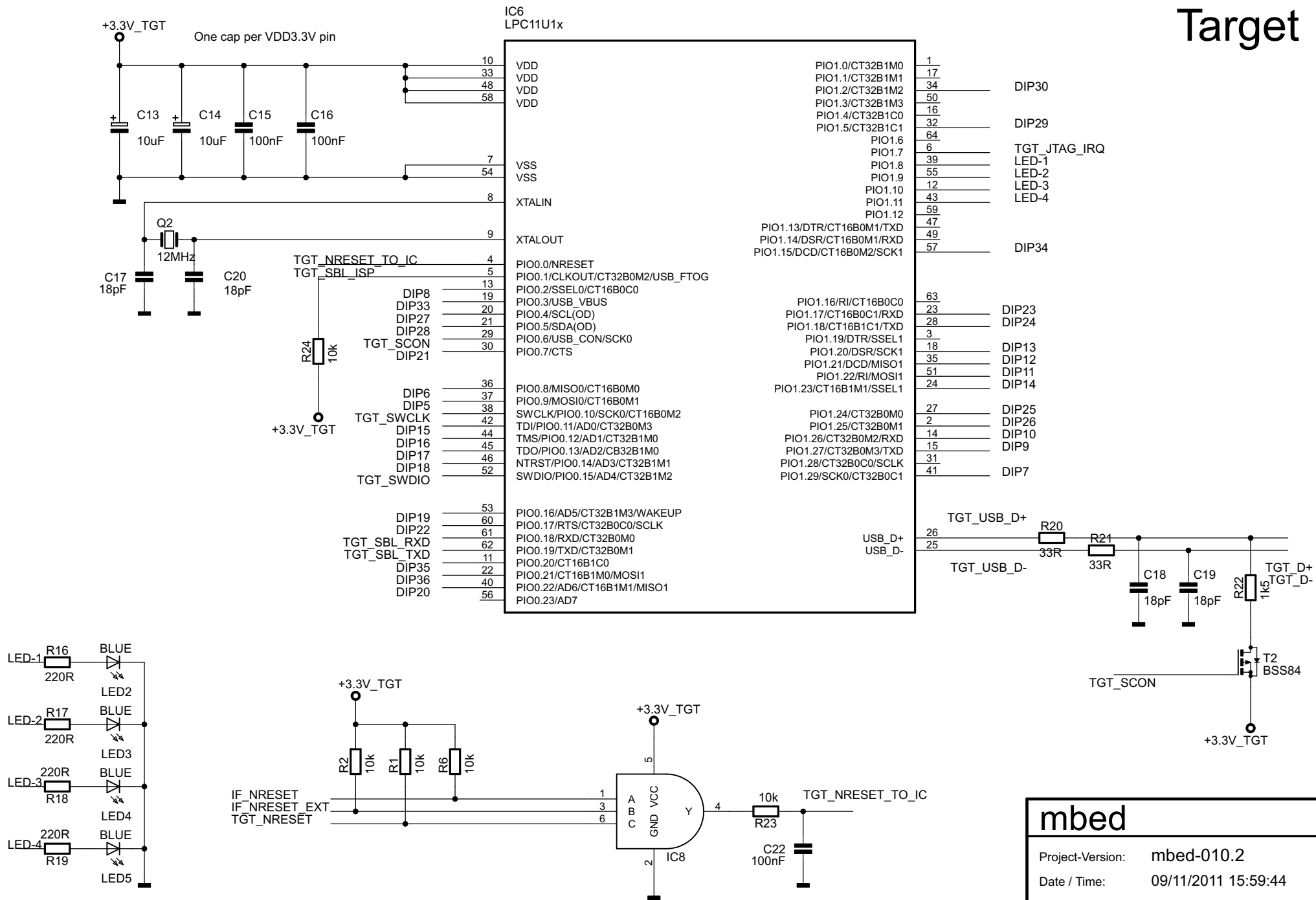
The interface is powered from USB or Vin  
The target is powered from Interface, Vin, or from VB



# Power Supply Circuits

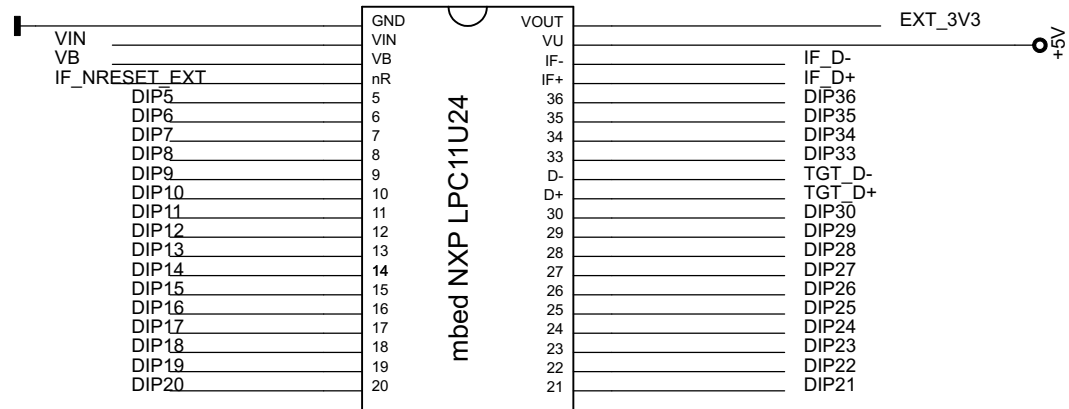
<b>mbed</b>	
Project-Version:	mbed-010.2
Date / Time:	09/11/2011 15:59:44
Sheet:	2/4

# Target



<b>mbed</b>	
Project-Version:	mbed-010.2
Date / Time:	09/11/2011 15:59:44
Sheet:	3/4

# DIP Pinout



<b>mbed</b>	
Project-Version:	mbed-010.2
Date / Time:	09/11/2011 15:59:44
Sheet:	4/4