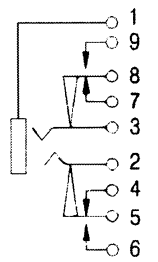
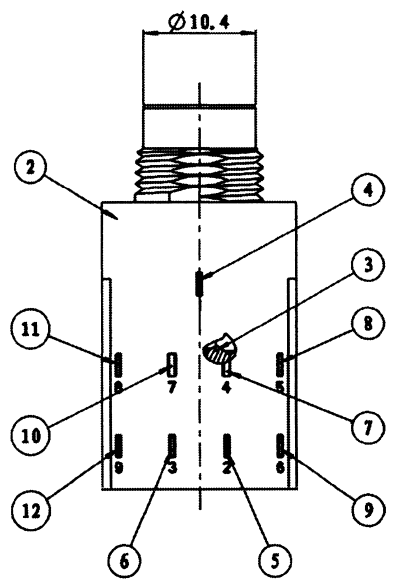
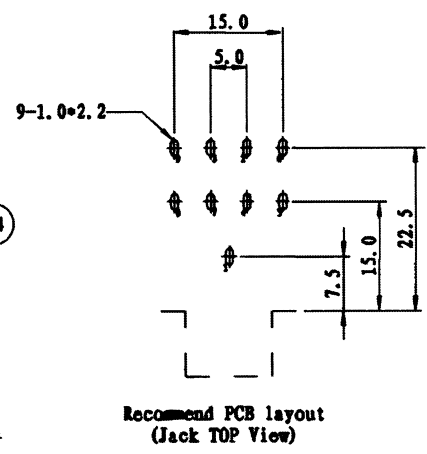
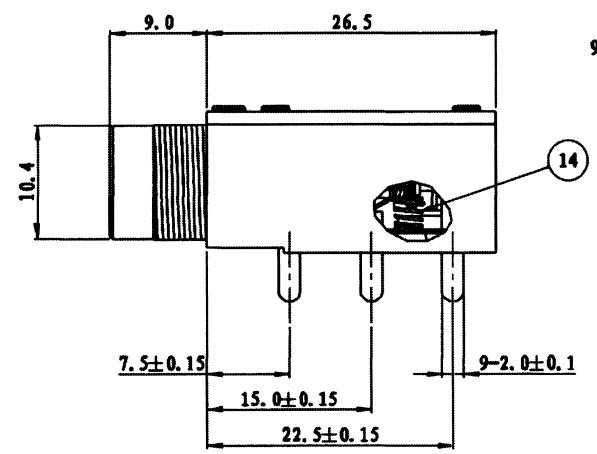
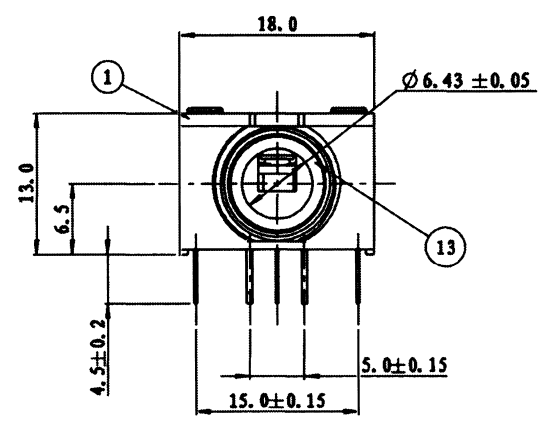


REV.	ECN NO OR DESCRIPTION	REVISED	DATE



14	SPRING	439-00620011	1	SUS	Ni	
13	RUN	439-00620010	1	Brass	Ni	
12	PIN9	439-00619009	1	Brass	Ag	
11	PIN8	439-00619008	1	Brass	Ag	
10	PIN7	439-00619007	1	Brass	Ag	
9	PIN6	439-00619006	1	Brass	Ag	
8	PIN5	439-00619005	1	Brass	Ag	
7	PIN4	439-00619004	1	Brass	Ag	
6	PIN3	439-00619003	1	Brass	Ag	
5	PIN2	439-00619002	1	Brass	Ag	
4	PIN1	439-00619001	1	Brass	Ag	
3	INSULATION	339-00621006	2	POM	Black	
2	HOUSING	339-00625003	1	ABS	Black	
1	COVER	339-00620005	1	PC	Transparent	

NO.	PART NAME	PART NO	Q'TY	MATERIAL	PLATING & COLOR	REMARK
UNLESS OTHERWISE SPECIFIED TOLERANCES				MARUSHIN ELECTRIC MFG. CO., LTD.		
DECIMALS		ANGLES		NAME PHONE JACK		
X	: ±0.50	X	: ±3°	DWN	Zhouyan	PART NO. MJ-188LPD-8C
X.X	: ±0.30	X.X	: ±2°	CHKD	Zhouyan	SCALE 3:2 UNIT MM
X.XX	: ±0.10			APVD	YSG	SIZE --- SHEET 1/1 REV A
CUSTOMER COPY						