



MPSA29

Preliminary

NPN EPITAXIAL SILICON TRANSISTOR

DARLINGTON TRANSISTOR

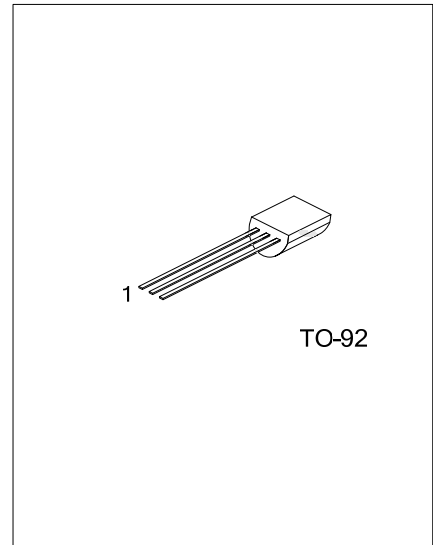
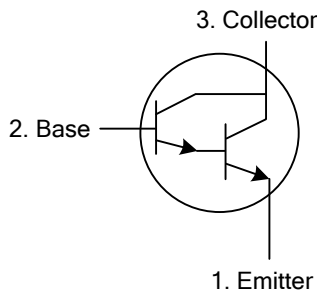
DESCRIPTION

The UTC **MPSA29** is a darlington transistor, it uses UTC's advanced technology to provide customers with high DC current gain, etc.

FEATURES

* High DC current gain

EQUIVALENT CIRCUIT



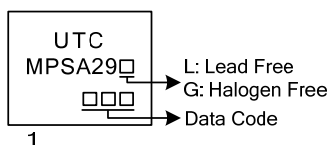
ORDERING INFORMATION

Ordering Number		Package	Pin Assignment			Packing
Lead Free	Halogen Free		1	2	3	
MPSA29L-T92-B	MPSA29G-T92-B	TO-92	E	B	C	Tape Box
MPSA29L-T92-K	MPSA29G-T92-K	TO-92	E	B	C	Bulk

Note: Pin Assignment: B: Base C: Collector E: Emitter

<p>MPSA29L-T92-B</p> <ul style="list-style-type: none"> (1) Packing Type (2) Package Type (3) Lead Free 	<ul style="list-style-type: none"> (1) B: Tape Box, K: Bulk (2) T92: TO-92 (3) L: Lead Free, G: Halogen Free
---	---

MARKING



■ ABSOLUTE MAXIMUM RATINGS (T_A=25°C, unless otherwise specified)

PARAMETER	SYMBOL	RATINGS	UNIT
Collector-Base Voltage	V _{CBO}	100	V
Collector-Emitter Voltage	V _{CES}	100	V
Emitter-Base Voltage	V _{EBO}	12	V
Collector Current-Continuous	I _C	500	mA
Power Dissipation @ T _A =25°C	P _D	625	mW
Derate above 25°C		5.0	mW/°C
Total Device Dissipation @ T _C =25°C	P _D	1.5	W
Derate above 25°C		12	mW/°C
Junction Temperature	T _J	-55~+150	°C
Storage Temperature	T _{STG}	-55~+150	°C

Note: Absolute maximum ratings are those values beyond which the device could be permanently damaged. Absolute maximum ratings are stress ratings only and functional device operation is not implied.

■ THERMAL CHARACTERISTICS

PARAMETER	SYMBOL	RATINGS	UNIT
Junction-to-Ambient	θ _{JA}	200	°C/W
Junction-to-Case	θ _{JC}	83.3	°C/W

■ ELECTRICAL CHARACTERISTICS (T_A=25°C, unless otherwise noted)

PARAMETER	SYMBOL	TEST CONDITIONS	MIN	TYP	MAX	UNIT
OFF CHARACTERISTICS						
Collector-Emitter Breakdown Voltage	BV _{CES}	I _C =100μA, V _{BE} =0	100			V
Collector-Base Breakdown Voltage	BV _{CBO}	I _C =100μA, I _E =0	100			V
Emitter-Base Breakdown Voltage	BV _{EBO}	I _E =10μA, I _C =0	12			V
Collector Cut-Off Current	I _{CBO}	V _{CB} =80V, I _E =0			100	nA
	I _{CES}	V _{CE} =80V, V _{BE} =0			500	nA
Emitter Cut-Off Current	I _{EBO}	V _{EB} =10V, I _C =0			100	nA
ON CHARACTERISTICS (Note 1)						
DC Current Gain	h _{FE}	V _{CE} =5.0V, I _C =10mA	10000			
		V _{CE} =5.0V, I _C =100mA	10000			
Collector-Emitter Saturation Voltage	V _{CE(sat)}	I _C =10mA, I _B =0.01mA		0.7	1.2	V
		I _C =100mA, I _B =0.1mA		0.8	1.5	V
Base-Emitter On Voltage	V _{BE(on)}	I _C =100mA, V _{CE} =5.0V		1.4	2.0	V
SMALL-SIGNAL CHARACTERISTICS						
Current-Gain -Bandwidth Product (Note 2)	f _T	I _C =10mA, V _{CE} =5.0V, f=100MHz	125	200		MHz
Output Capacitance	C _{ob}	V _{CB} =10V, I _E =0, f=1.0MHz		5.0	8.0	pF

Notes: 1. Pulse Test: Pulse Width≤300μs, Duty Cycles≤2.0%.

2. f_T = h_{FE} × f_{test}

UTC assumes no responsibility for equipment failures that result from using products at values that exceed, even momentarily, rated values (such as maximum ratings, operating condition ranges, or other parameters) listed in products specifications of any and all UTC products described or contained herein. UTC products are not designed for use in life support appliances, devices or systems where malfunction of these products can be reasonably expected to result in personal injury. Reproduction in whole or in part is prohibited without the prior written consent of the copyright owner. The information presented in this document does not form part of any quotation or contract, is believed to be accurate and reliable and may be changed without notice.