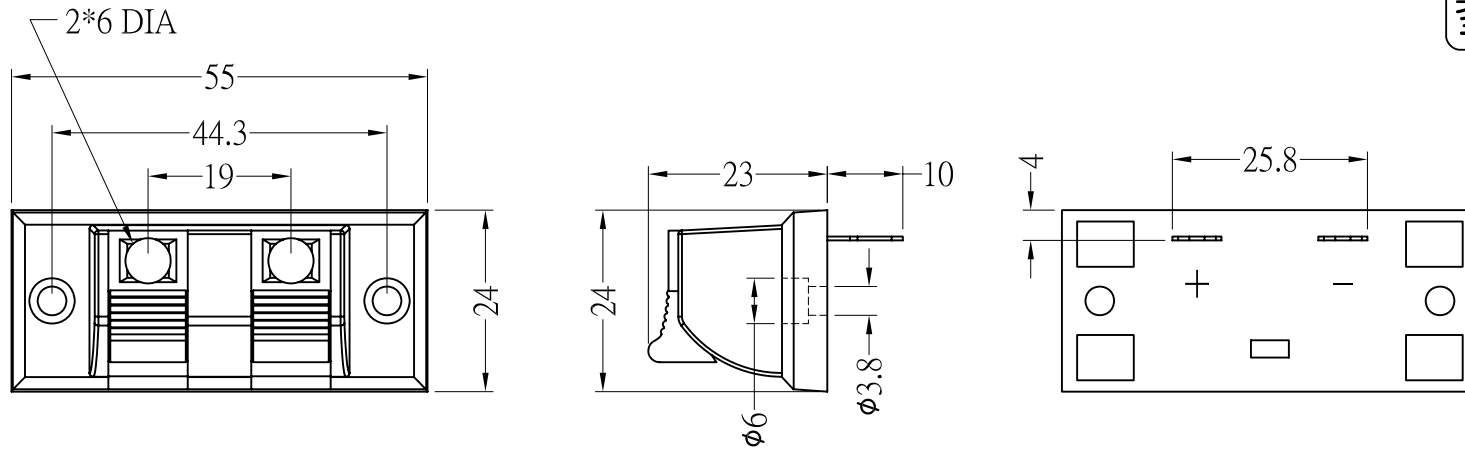
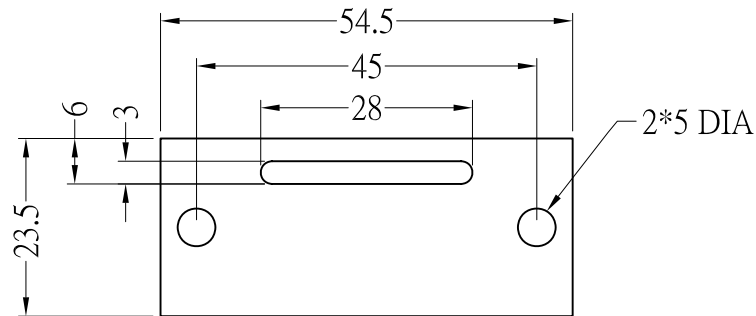



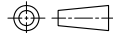
參考資料



Gasket dimension



Rev.	Description	By	Date	DCN. No.
△				
△				
△				
△				

 林強企業有限公司 YUNG INTERNATIONAL INC.	Visual Angle				Cus. Model No.	
	Unit	mm	Scale	Fit		
<input checked="" type="checkbox"/> Quotation	Drawn By	Checked By	Approved By	Rev. No.	A00	Model No.
<input type="checkbox"/> Sample	黃鳳明			Date	2013.01.28	
<input type="checkbox"/> Tooling				Part Name	MPT-2	Part No.
<input type="checkbox"/> Official Issue				Drawing No.		