

1.0 Inch Single Digit Display
OSL11001-IXX (Common Anode type)
OSL11001-LXX (Common Cathode type)

■ **Features**

- 1.0 Inch Single Digit Display
- Long lifetime operation
- IC compatible
- Low power dissipation
- Black surface & white segment or dot

■ **Applications**





- Counting device
- Clock

■ **Absolute Maximum Rating (Ta=25°C)**

Item	Symbol	Value		Unit
		R/YG/Y	G	
DC Forward Current	I _F	25	25	mA
Pulse Forward Current*	I _{FP}	100	100	mA
Reverse Voltage/Per Segment or (Dp)	V _R	10(5)	10(5)	V
Power Dissipation/Per Segment or (Dp)	P _t	125(62.5)	170(85)	mW
Operating Temperature	Topr	-30 ~ +70		°C
Storage Temperature	Tstg	-40~ +85		°C
Lead Soldering Temperature(1.6mm from seating plane)	Tsol	260°C/5sec		°C

*Pulse width Max.10ms Duty ratio max 1/10

■ **Electrical -Optical Characteristics (Ta=25°C)**

Part Number	Color			V _F (V)			I _R (μA)	I _v (mcd)			λD(nm)		
				Per Segment or (Dp)			Max.	Min.	Typ.	Max.	Min.	Typ.	Max.
				Min.	Typ.	Max.							
				I _F =20mA			V _R =10V V _R =5V(Dp)	I _F =20mA					
OSL11001-IGA(LGA)	Pure green	G		5.8 (2.9)	6.2 (3.1)	6.8 (3.4)	20	-	270	-	520	525	530
OSL11001-IYGA(LYGA)	Yellow green	YG		3.6 (1.8)	4.4 (2.2)	5.0 (2.5)	20	-	30	-	565	570	575
OSL11001-IOA(LOA)	Orange	O		3.8 (1.9)	4.4 (2.2)	5.0 (2.5)	20	-	70	-	600	605	610
OSL11001-IRA(LRA)	Red	R		3.8 (1.9)	4.4 (2.2)	5.0 (2.5)	20	-	124	-	630	640	650

*1 Tolerance of dominant wavelength is±1nm

*2 Tolerance of luminous intensity is±15%

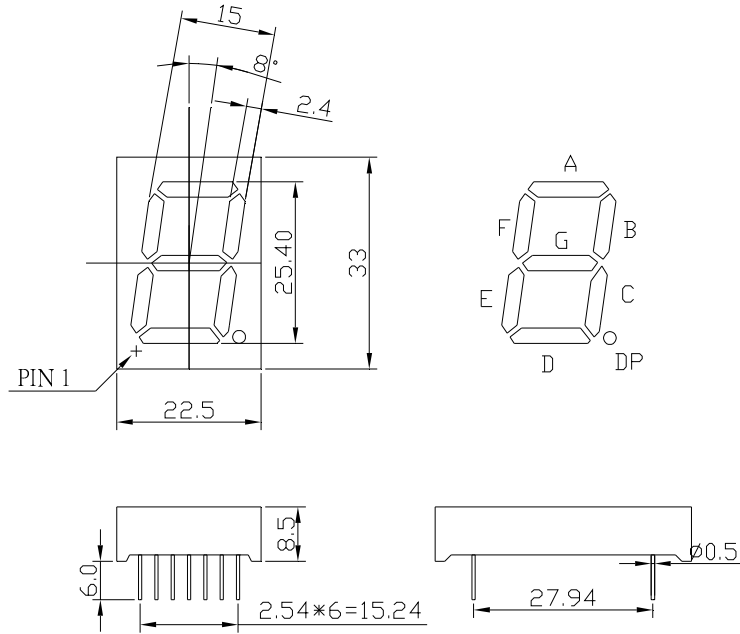
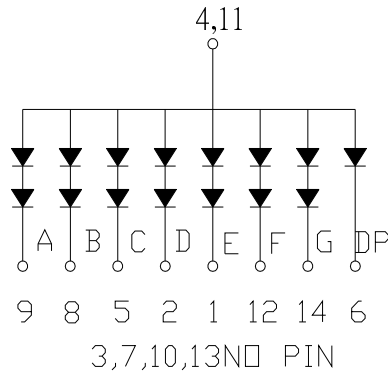
■ Package dimensions and pin function

**OSL11001-IXX
(Common Anode type)**

Note:

1, Unit : mm (Tolerance: ± 0.25 mm unless otherwise noted)

2, The slope angle of any PIN may be $\pm 5.0^\circ$ Max



**OSL11001-LXX
(Common Cathode type)**

Note:

1, Unit : mm (Tolerance: ± 0.25 mm unless otherwise noted)

2, The slope angle of any PIN may be $\pm 5.0^\circ$ Max

