

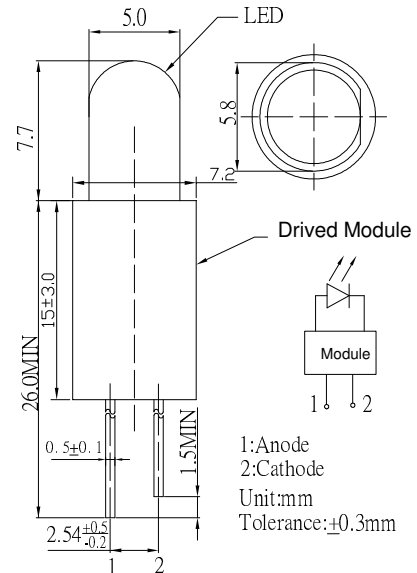
■ **Features**

- High Luminous LEDs
- 5mm Round Standard Directivity
- Superior Weather-resistance
- UV Resistant Epoxy
- Used 4.5~18V DC Drive
- Cost Effective, Constant Current LED
- Water Clear Type

■ **Applications**

- Flashlight
- Other Lighting

■ **Outline Dimension**

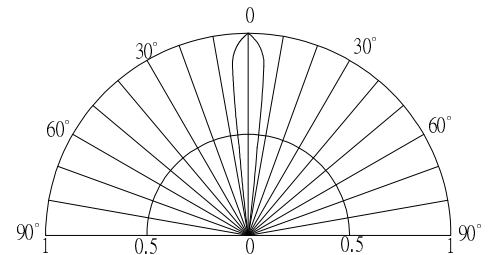


■ **Absolute Maximum Rating**

(Ta=25°C)

Item	Symbol	Value	Unit
DC Forward Voltage	V _F	4.5 ~ 18	V
DC Forward Current (Input)	I _F	19	mA
Power Dissipation	P _D	342	mW
Operating Temperature	Topr	-30 ~ +85	°C
Storage Temperature	Tstg	-30 ~ +85	°C
Lead Soldering Temperature	Tsol	260°C/5sec	-

■ **Directivity**



■ **Electrical -Optical Characteristics** (Ta=25°C)

Part Number	Color		V _F (V)*			I _v (mcd)*			λD(nm)*			2θ1/2(deg)
			Min.	Type.	Max.	Min.	Typ.	Max.	Min.	Typ.	Max.	Typ.
			I _F =18.5mA			I _F =18.5mA						
OSW4DK5111A-5JP	Pure White	W	4.5	-	18	18000	20000	-	X=0.31, Y=0.33			15
OSW5DK5111A-5JP	Cool White	W	4.5	-	18	20000	22000	-	X=0.27, Y=0.28			15
OSM5DK5111A-5JP	Warm White	M	4.5	-	18	15000	18000	-	X=0.45, Y=0.41			15
OSB5SA5111A-5JP	Blue	B	4.5	-	18	5800	7000	-	465	470	475	15
OSG5DA5111A-5JP	Pure Green	G	4.5	-	18	20000	22000	-	520	525	530	15
OSY5PA5111A-5JP	Yellow	Y	4.5	-	18	18000	20000	-	585	590	595	15
OSO5PA5111A-5JP	Orange	O	4.5	-	18	20000	22000	-	600	605	610	15
OSR5PA5111A-5JP	Red	R	4.5	-	18	18000	20000	-	620	625	630	15

*1 Tolerance of chromaticity coordinates is ±10%

*2 Tolerance of luminous intensity is ±15%