



# SPL (HONG KONG) LIMITED

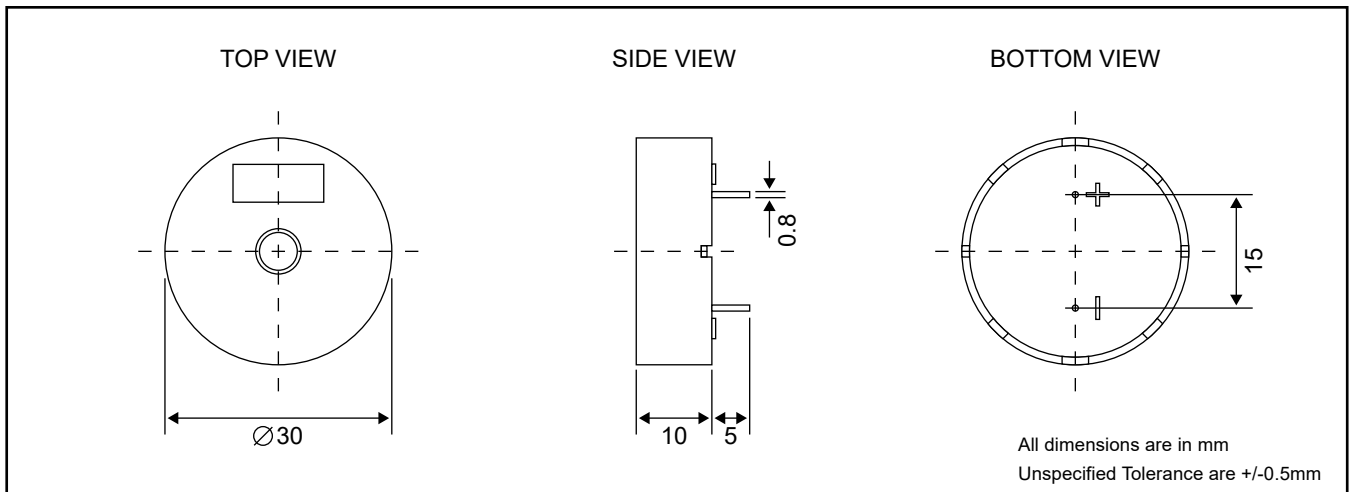
香港九龍觀塘鴻圖道57號南洋廣場17樓1703B室  
Room 1703B, 17/F., Nanyang Plaza, No.57 Hung To Road, Kwun Tong, Kowloon, HK.  
Tel: 852-2342 6857 / 2342 6867 Fax: 852-2342 6847 Email: sales@spl-hk.com.hk  
Website: www.buzzer.com.hk ; www.transducer.com.hk ; www.connector.com.hk



## External Drive Piezo Transducer SPT10 series

### DIMENSIONS

Date : 02 Jun.,2020



Ref. no. : P114492-R2



### ELECTRICAL SPECIFICATIONS

Model No.	PT10-301025APR
Sound Pressure Level	85 dBA min. [5V p-p Square Wave, 10cm, 2500Hz]
Capacitance	25000 pF +/- 30%
Max. Input Voltage	30V p-p
Operating Temperature [°C]	-20 ~ +60
Storage Temperature [°C]	-30 ~ +70
Terminal	Pin
Housing Material	ABS
Housing Colour	Black
Weight [gm]	4.8