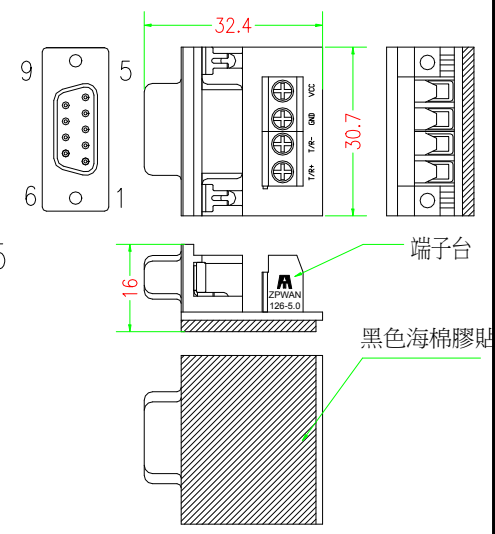
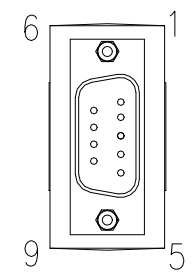
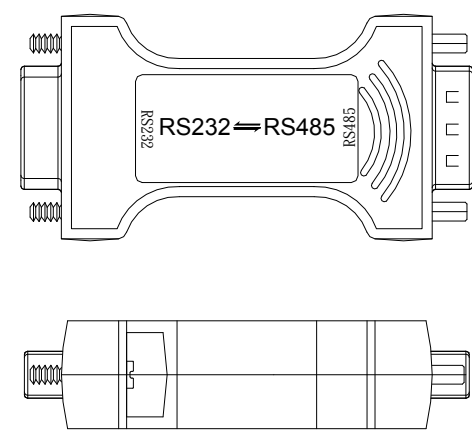
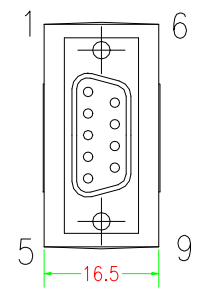
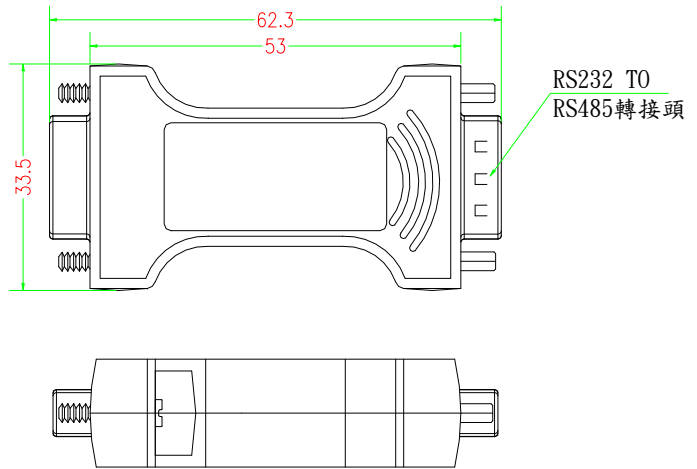


WEIGHT	CUSTOMER NO.:	REMARK
	TE182	WIRETEK



PINOUT:

DB9/F	端子台
1	T/R+
2	T/R-
5	GND
6	VCC

RS-232端 (DB9母座)

PIN腳	1	2	3	4	5	6	7	8	9
信號	DCD	RXD	TXD	DTR	GND	DST	RTS	CTS	RI

RS-485端 (DB9公座)

PIN腳	1	2	5	6
信號	T/R+	T/R-	GDN	VCC

RS-485端 (接線柱)

PIN腳	1	2	3	4
信號	T/R+	T/R-	GDN	VCC

- NOTE:
- 1) 1PCS/產品+真空罩+內托+背卡.  
W/1PCS端子台.
  - 2) 產品符合RoHS
  - 3) 额定电压5V 额定电流120MA

A	FRIST EDITION	Q.ZhenX	2014/03/24
REV.	ECR	DESCRIPTION	C.N. DATE
THESE DRAWINGS AND SPECIFICATIONS ARE THE PROPERTY OF WIRETEK COMPUTER LIMITED AND SHALL NOT BE REPRODUCED COPIED OR USED IN ANY MANNER WITHOUT THE PRIOR WRITTEN CONSENT OF WIRETEK COMPUTER LIMITED.		<b>WIRETEK INTERNATIONAL INVESTMENT LTD.</b>	
DIMENSIONS ARE IN MILLIMETERS ANGULAR TOLERANCE: ±1.0°		TITLE <b>RS232 TO RS485 ADAPTER</b>	
DIMENSIONS	TOLERANCE	CHKD.	CONF.
0.00 TO 30.00mm	±0.10mm		
30.01 TO 80.00mm	±0.13mm	DR.	APPD.
80.01 TO 150.00mm	±0.15mm	Q.ZhenX	
150.01mm ↑	±0.20mm	PART NO.	TE182
MATERIAL	MATERIAL	SCALE	SHEET 1/1 UNIT MM SIZE A4 REV. A
FINISH	FINISH		