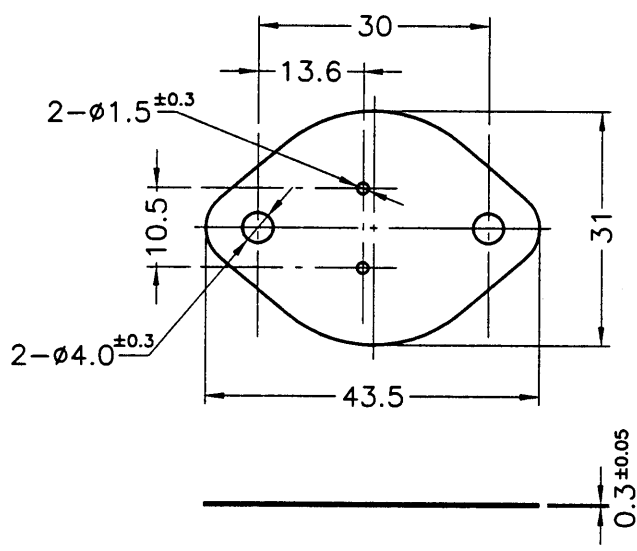


REVISIONS			
REV	DESCRIPTION	DATE	BY
B	重新開模, 修改產品尺寸.	92.01.02	JASON



QMFZ2
Component-Plastics

June 24, 1995

FU-DA GOOD SPEED INDUSTRY CO
WU KU INDUSTRIAL PARK, 4TH FL 99 WU KONG
RD HSIN CHUANG, TAIPEI HSIEN TAIWAN

E153203(S)
(A card)

		RTI					H	H	H	D			
		Miln	UL94	Elec	Mech			V	4	C			
		Thk	Flame		with	w-o	W	A	T	9	T		
Mitl	Dag	Col	Class		Imp	Imp	I	I	R	5	I		
Silicon rubber containing Sb203 furnished in the form of sheets.													
→ P-100	WT, NC	0.30	94V-0	150	150	150	0	0	0	4	0		
	WT, NC	0.50	94V-0	150	150	150	0	0	0	4	0		
	RD	0.25 only	94V-0	150	150	150	0	0	0	4	0		
Chloroprene Rubber (CR), furnished in the form of sheets.													
P-200	NC, BK	3.2	94V-1	50	50	50	-	-	-	-	-		
	NC, BK	6.0	94V-0	50	50	50	-	-	-	-	-		

Reports: July 7, 1993; June 20, 1995.

Replaces E153203A dated November 22, 1994.
872916001 H7047 Underwriters Laboratories Inc.®

(Cont on B card)
011-0235047

<p>康揚企業股份有限公司 KANG YANG HARDWARE ENTERPRISE CO., LTD. 東莞康揚塑膠五金電子廠 DONG GUAN KANG YANG PLASTIC HARDWARE COMPANY 康哲電腦配件(吳江)有限公司 KANG CHE COMPUTER COMPONENTS(WUJIANG) CO., LTD.</p>				TITLE	矽膠片	產品規格圖面	
				MATERIAL	SILICON UL94V-0	DATE	2003.01.02
				FINISH		DRAWN	JASON
				COLOR	GRAY	CHECK	
PART NUMBER	TO-3	DRAWING NUMBER	TO-3H	UNLESS OTHERWISE SPECIFIED TOLERANCE	±0.5	APPROVED	Kang
SIZE	A4	SCALE	1:1	UNIT	mm	REV	B