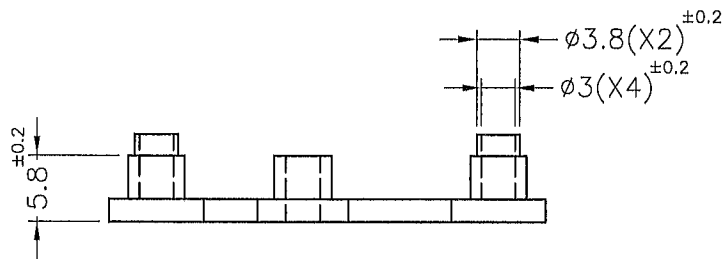
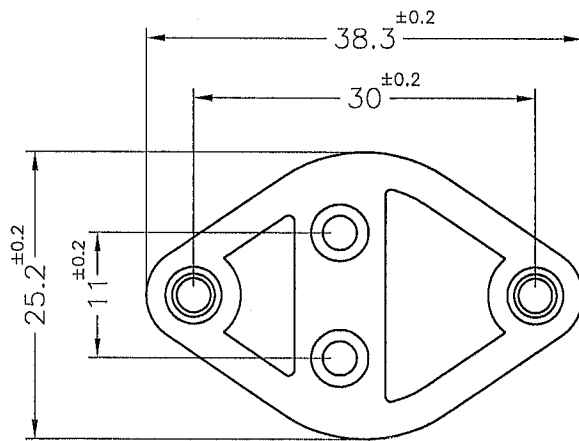

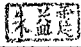


REVISIONS			
REV	DESCRIPTION	DATE	BY



NOTE:MADE OF EQUIVALENT MATERIAL
均可使用同等材質

 <p>康揚企業股份有限公司 KANG YANG HARDWARE ENTERPRISE CO., LTD. 康揚塑膠(東莞)有限公司 KANG YANG PLASTIC(DONG GUAN) CO., LTD. 康哲電腦配件(吳江)有限公司 KANG CHE COMPUTER COMPONENTS(WUJIANG) CO., LTD.</p>	TITLE TRANSISTOR HOUSING		SPEC. DWG.	
	MATERIAL NYLON 66 UL94V-2		DATE 1997.07.05	
	HARDNESS		DRAWN 林秀儉	
	COLOR NATURAL		CHECK 	
PART NUMBER TR-4	DRAWING NUMBER TR-4H		UNLESS OTHERWISE SPECIFIED TOLERANCE SEE ABOVE	
SIZE A4	SCALE 3:2	UNIT mm	REV A	APPROVED 