



# SPL (Hong Kong) Limited

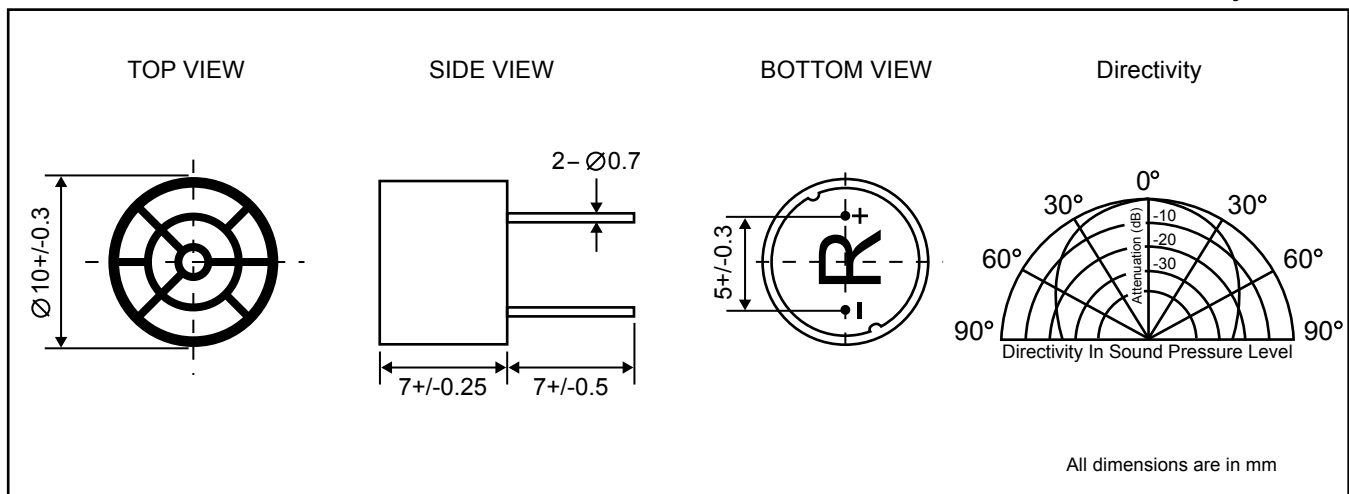
Rm 2507, 25/F, Prosperity Centre, 25 Chong Yip St., Kwun Tong, Kln., HK.  
Tel: 852-23426867 / 57 Fax: 852-23426847 Email: sales@spl-hk.com.hk  
www.buzzer.com.hk ; www.transducer.com.hk ; www.connector.com.hk

## Ultrasonic Sensor SU10 series

### NEW CODE SPECIFICATION

#### DIMENSIONS

Date : 8 May, 2006



Ref. no.: DR017



#### ELECTRICAL SPECIFICATIONS

Model No.		UR1007APR
Construction		Open Structure
Function		Receiver
Center Frequency	[Hz]	40K +/- 1K
Overall Sensitivity	[dBA]	-70 min. / V / ubar
Sound Pressure Level	[at 10Vrms, 30cm]	--
-6dB Direction	[degree]	80 max.
Capacitance	[at 1KHz]	2800 pF +/- 20%
Max. Input Voltage	[Vp-p]	--
Min. Detectable Range	[m]	0.2
Max. Detectable Range	[m]	6
Terminal		Pin
Housing Material		ABS
Colour		Black
Operating Temperature	[°C]	-20 ~ +70
Weight	[gm]	2