

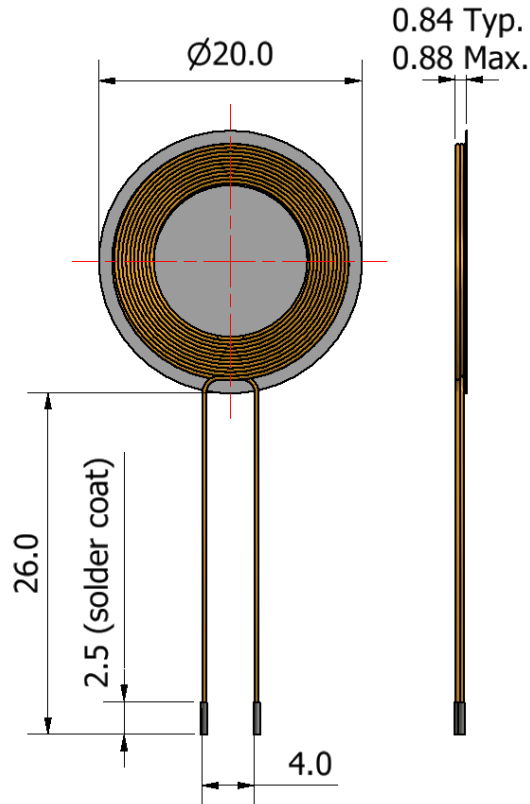
# **TDK Proposal for IDT**

**TDK Part No: WR202010-18M8-ID**

**TDK R&D center  
Wireless Charging Team  
2016/04/19**

(2016-03-08)

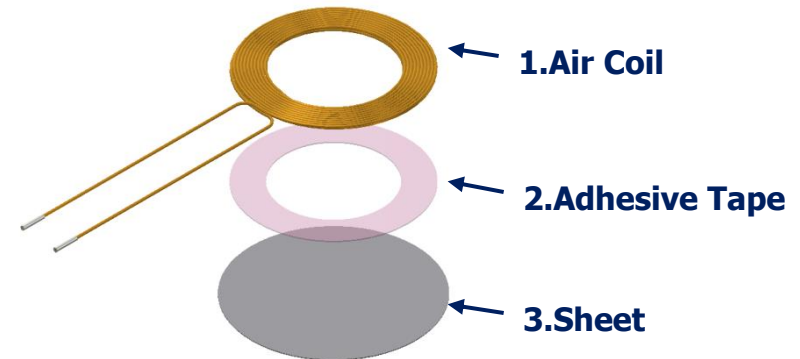
## = Dimension of coil unit =



## = Coil unit Assembly =

Unit : mm

Stack	TDK Item	Typ.	Max.
1	Coil+Resin	0.600	0.630
2	Adhesive Tape	0.135	0.142
3	Main Sheet (MS8)	0.100	0.110
Total Thickness		0.84	0.88



## = Electrical Characteristics =

- $L_s$  [ uH ] : 11 uH typ @100kHz
- $R_s$  [ ohm ] : 0.4  $\Omega$  typ @100kHz