

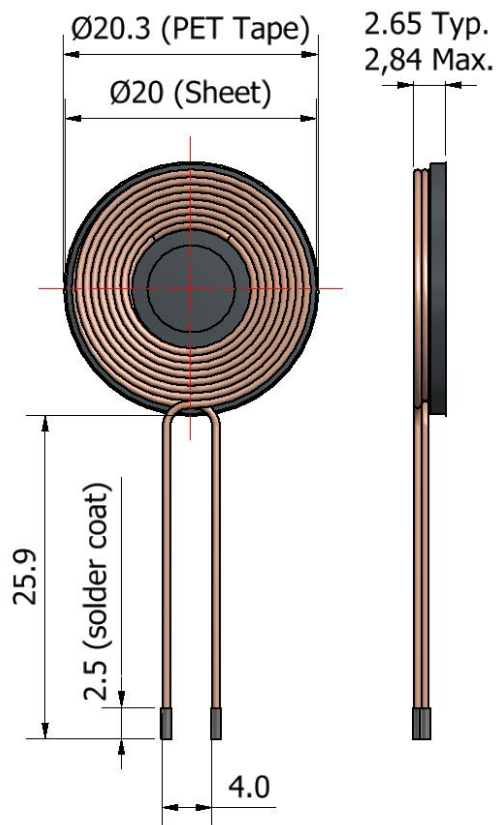
# **TDK Proposal for IDT**

**TDK Part No: WT202012-15F2-ID**

**TDK R&D center  
Wireless Charging Team  
2016/04/19**

(2016-03-22)

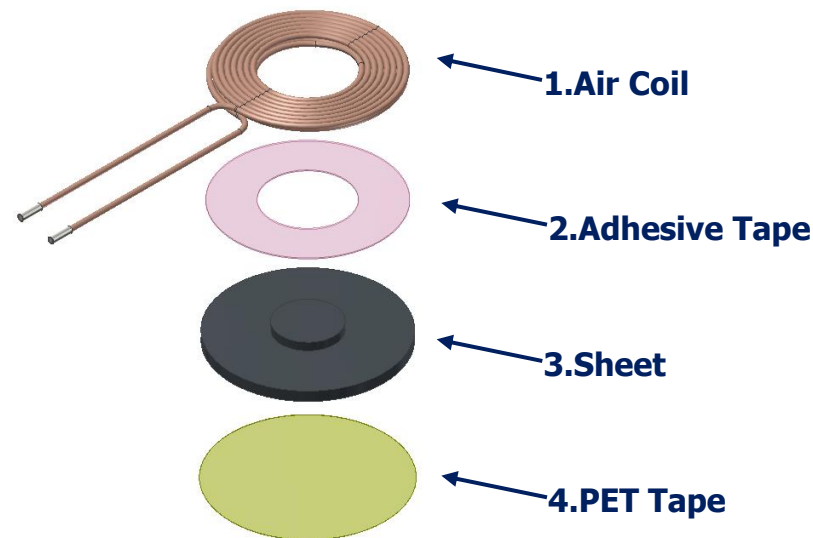
## = Dimension of coil unit =



## = Coil unit Assembly=

Unit : mm

Stack	TDK Item	Typ.	Max.
1	Coil+Resin	1.283	1.347
2	Adhesive Tape	0.135	0.142
3	Main Sheet (FK2)	1.200	1.320
4	PET Tape	0.030	0.032
Total Thickness		2.65	2.84



## = Electrical Characteristics=

- $L_s$  [ uH ] : 6.20uH typ @100kHz
- $R_s$  [ ohm ] : 0.095 $\Omega$  typ @100kHz