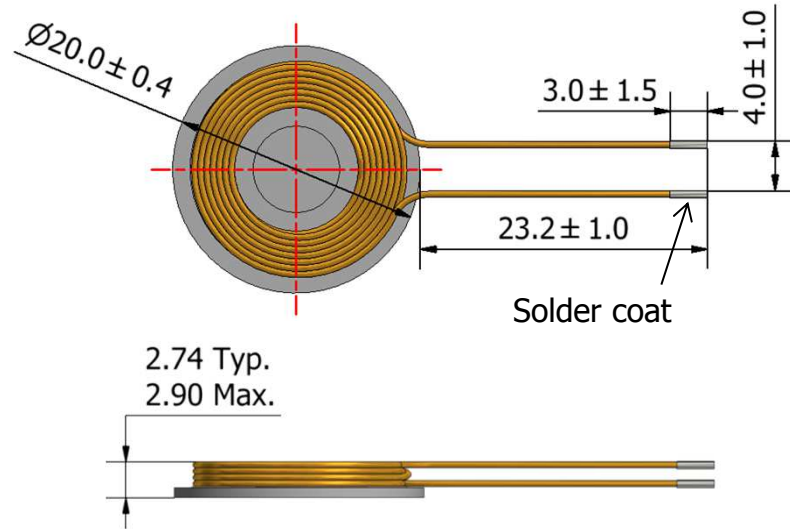


WT202080-28F2-G



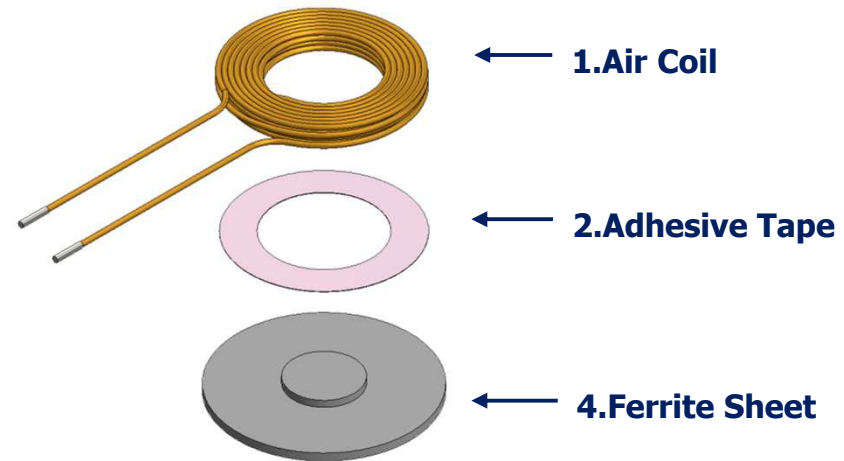
= Dimension of coil unit =



= Coil unit Assembly =

Unit : mm

Stack	TDK Item	Typ.	Max.
1	Coil+Resin	1.805	1.900
2	Adhesive Tape	0.135	0.138
3	Ferrite Sheet	0.800	0.862
Total Thickness		2.74	2.90



= Electrical Characteristics =

- L_s : 20.9 μ H Typ. @100kHz
- R_s : 0.3 Ω Max. @100kHz