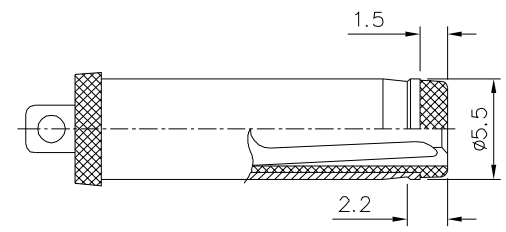
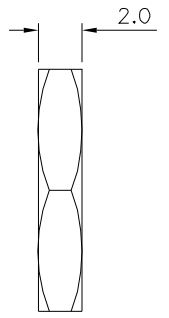
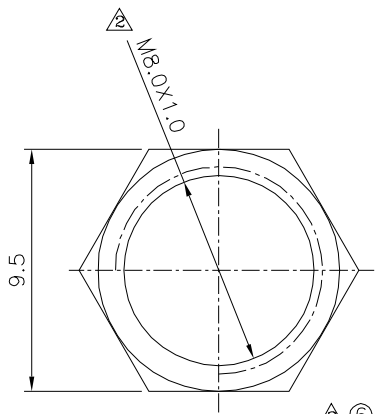
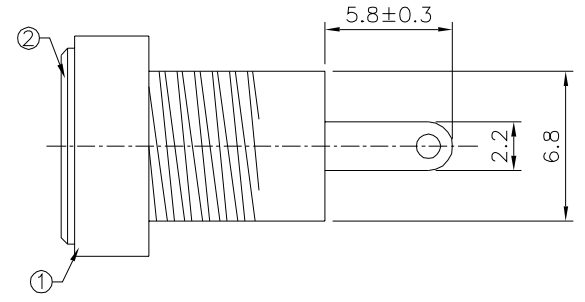
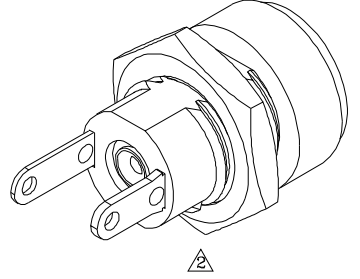
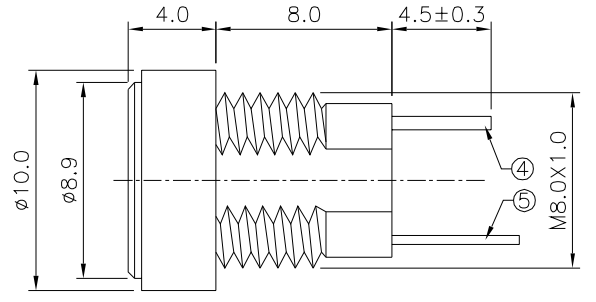
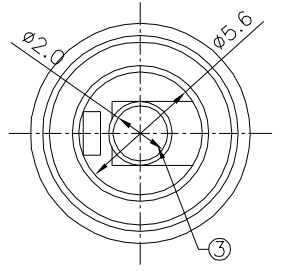
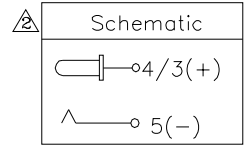


△ SPECIFICATION
 △ Rating:DC 24V 4.0A
 △ Withstanding Voltage:500V AC
 △ Contact Resistance:30 Milliohms Max.
 △ Insulation Resistance:100 Megaohms Min.(DC 250V)
 △ RoHS Compliant



△ Recommended Plug



No.	Description	Q'ty	Material	Remark
①	Housing	1	PBT	
②	Axis Support	1	Brass	Nickel Plated
③	Pin	1	Brass	Nickel Plated
④	Contact Foot	1	Brass	Silver Plated
⑤	Spring	1	Bronze	Silver Plated
⑥	Nut		Brass	Nickel Plated

4UCON 元化興業股份有限公司
 4UCON TECHNOLOGY INC.

DRAWING No.		APPROVED BY		UNLESS OTHERWISE SPECIFIED TOLERANCES ARE .X ±0.15 ANG. ±1.5°
22196		MEI		
		CHECKED BY HZF		
SCALE NONE		DRAWING BY CYP		UNIT mm
REV.	A2	NO. REV. REVISIONS		

△ A2	Modify Data	HZF	12/07/2021
△ A1	Modify Data	HZF	03/27/2019
△ A0	NEW RELEASE	HZF	03/15/2018
NO. REV.	REVISIONS	CHK	DATE