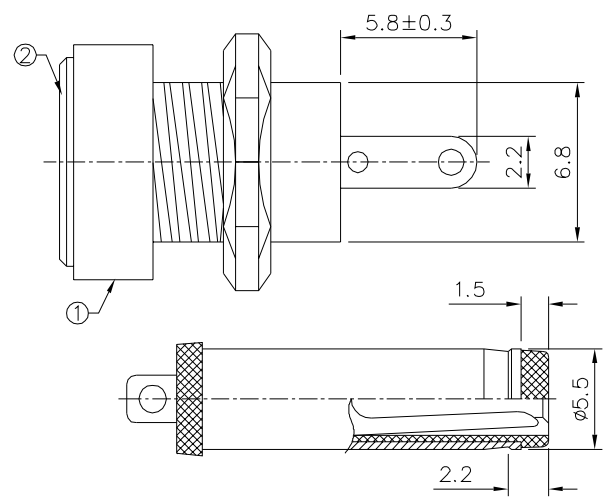
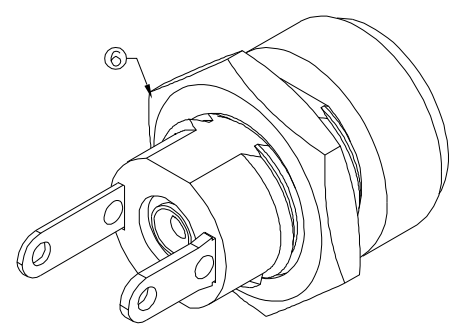
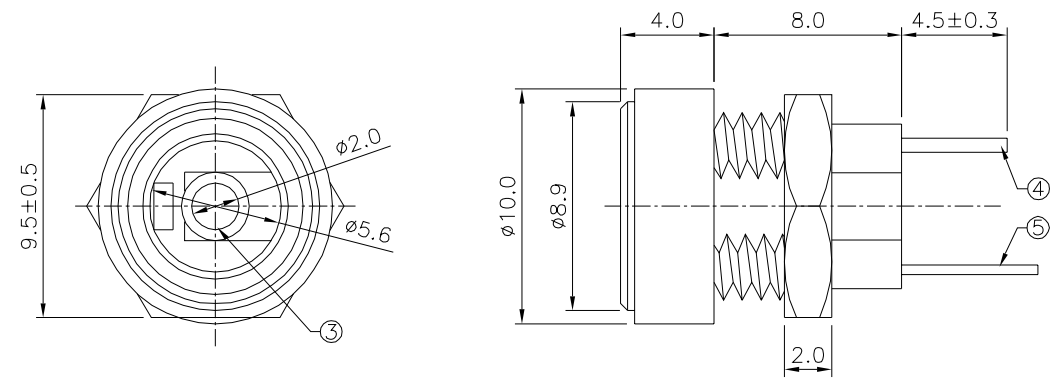
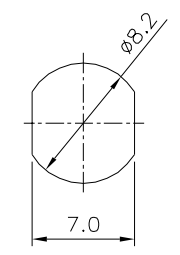


SPECIFICATION

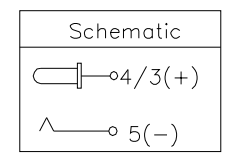
Rating:DC 24V 4.0A
 Withstanding Voltage:500V AC
 Contact Resistance:30 Milliohms Max.
 Insulation Resistance:100 Megaohms Min.(DC 250V)
 RoHS Compliant



Recommended Plug



Mounting Hole Dimension



No.	Description	Q'ty	Material	Remark
①	Housing	1	PBT	
②	Axis Support	1	Brass	Nickel Plated
③	Pin	1	Brass	Nickel Plated
④	Contact Foot	1	Brass	Silver Plated
⑤	Spring	1	Bronze	Silver Plated
⑥	Nut		Brass	Nickel Plated

4UCON 元化興業股份有限公司
 4UCON TECHNOLOGY INC.

DRAWING No.		APPROVED BY		UNLESS OTHERWISE SPECIFIED TOLERANCES ARE .X ±0.15 ANG. ±1.5°
22234		MEI		
		CHECKED BY HZF		
DRAWING BY		CYP		
SCALE	NONE	REV.	A2A	UNIT mm

△	A2A	NEW RELEASE	HZF	01/10/2022
NO.	REV.	REVISIONS	CHK	DATE