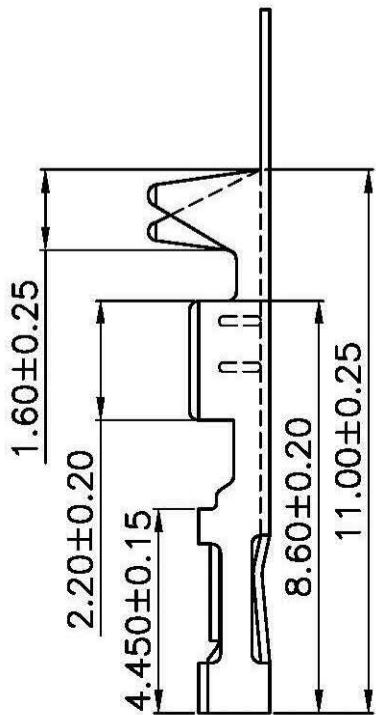
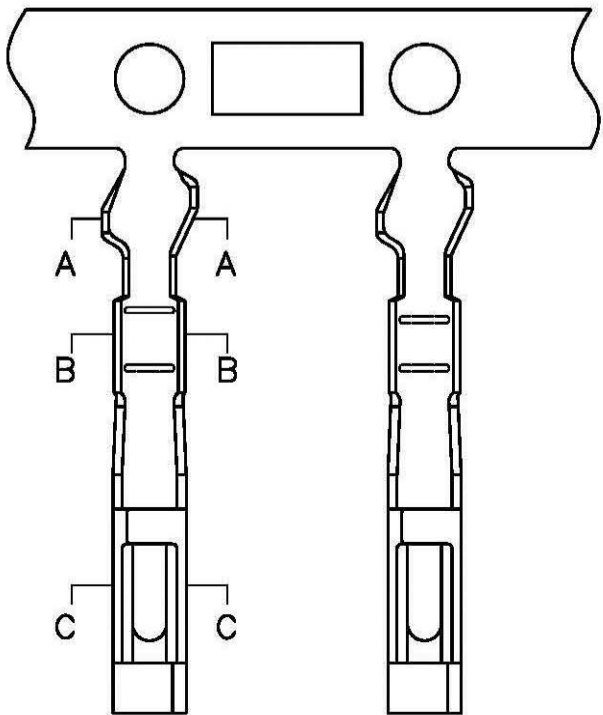


1 2 3 4 5 6 7 8 9 10

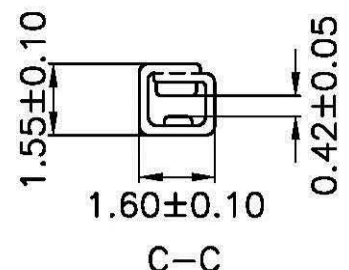
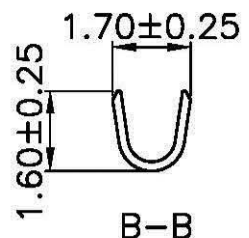
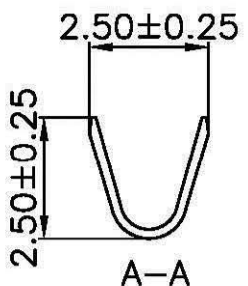


**SPECIFICATIONS**

Voltage Rating: 250V AC/DC  
 Current Rating: 3A AC/DC  
 Withstanding Voltage: 1000V AC/minute  
 Insulation Resistance: 1000MΩ min.  
 Temperature Range: -25° C - +85° C  
 Contact Resistance: 20mΩ max

**TERMINAL**

Wire Range: AWG#24-#28 (OD1.55mm)  
 Material: Phosphor Bronze  
 Finish: Tin Plated  
 Thickness: 0.20mm



						OPERATION	DRAW		SCALE		<b>Chang Enn Co., Ltd.</b>
						~ 10 ±0.25	DESIGN		UNIT	mm	
						20 ~ 30 ±0.30	CHECK		SIZE	A4	
						30 ~ ±0.50	APPROVE		SHEET	1/1	
0		NEW				Angle ± 2'			PART NO.	254ATL-G	
REV	DATE	MODIFICATION DESCRIPTION	CHANGE	APPROVE		DM TOL			DRAWING NO.		

1 2 3 4 5 6 7 8 9 10