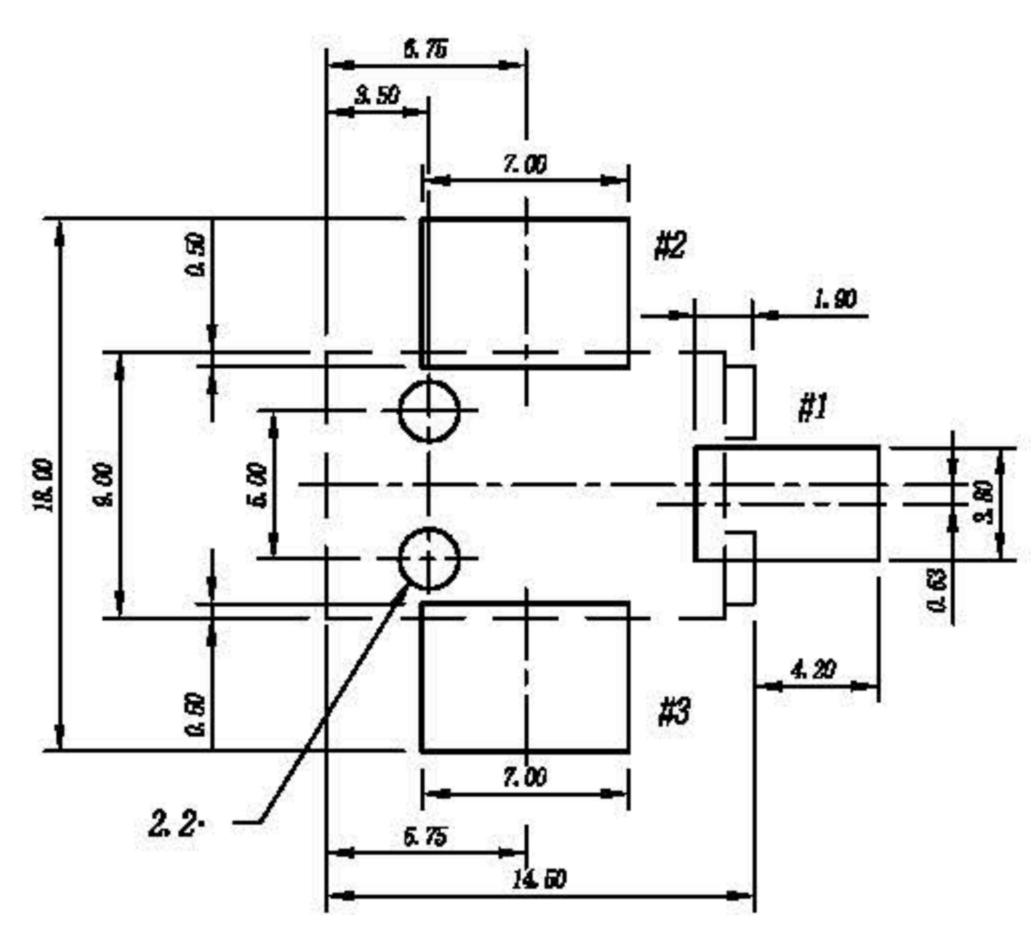
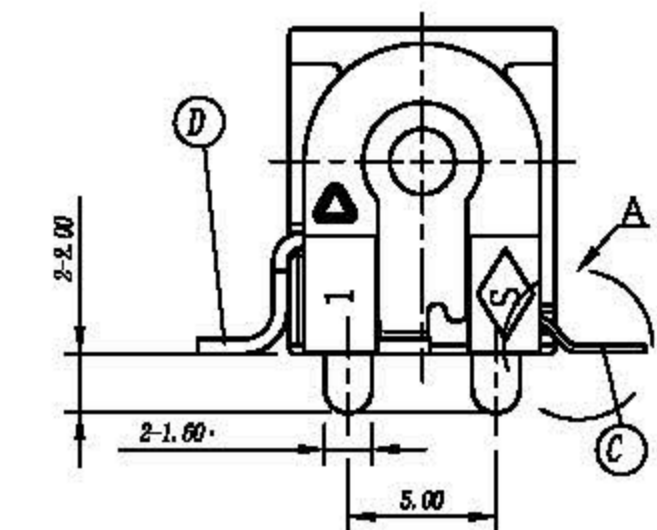
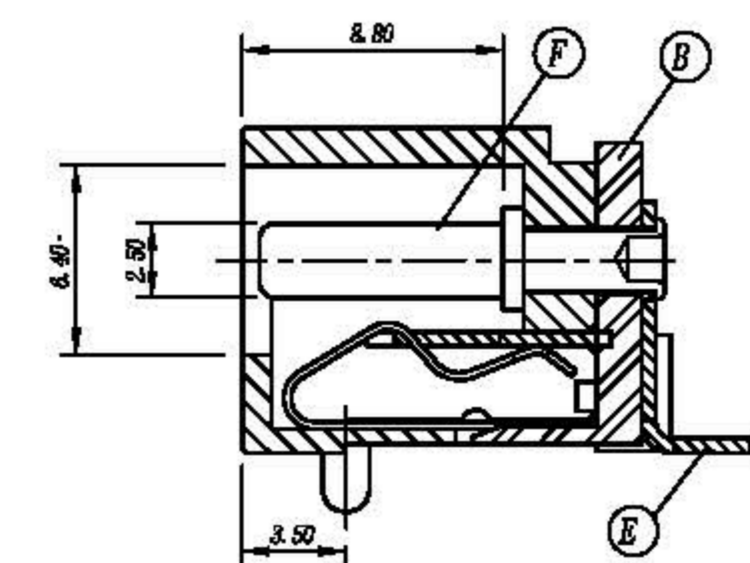
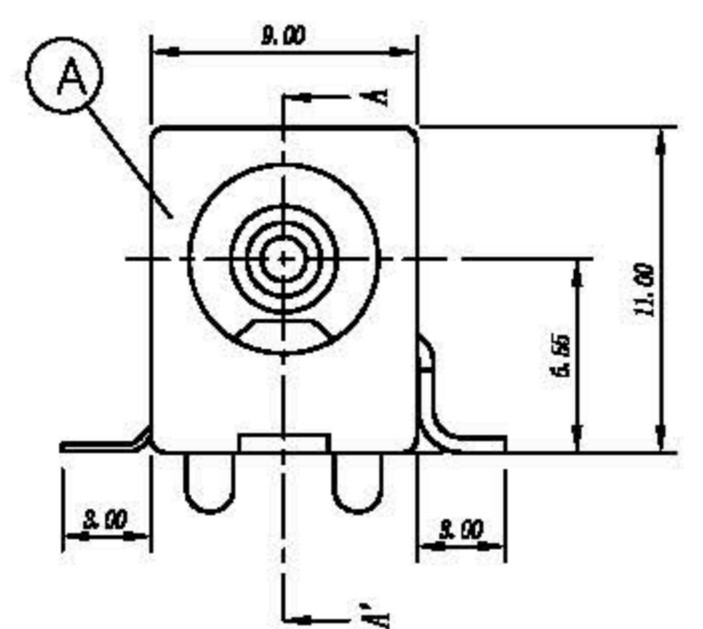
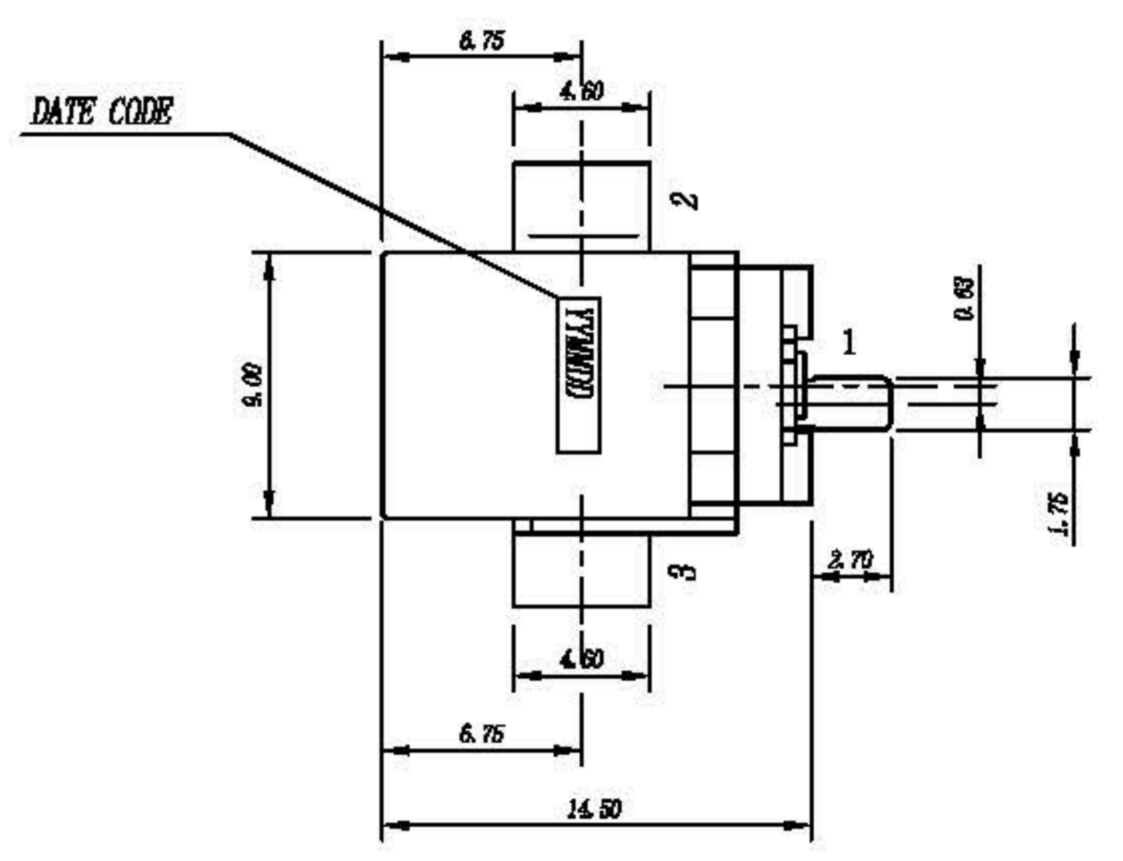
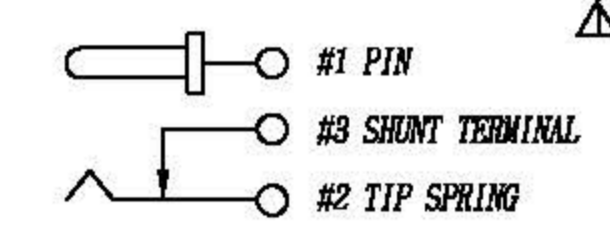


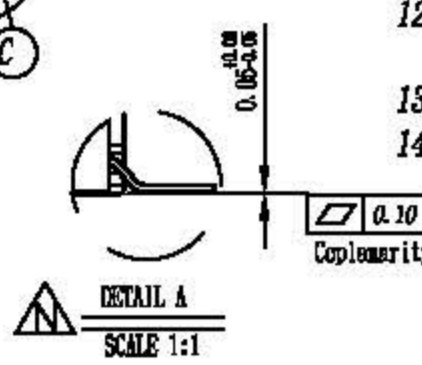
| REV. | ECN NO OR DESCRIPTION | REVISED | DATE |
|------|--|-----------|------------|
| L | 1. Modify mating/unmating force spec 2. ECN NO. C090003-2/2 | HAIBER | 5/21/08 |
| M | 料號變更, ECN NO.: T0900047 | KEBCH | 8/18/08 |
| N | ECN: C110263 Modify drawing | Longjiang | 2011.08.19 |



RECOMMENDED P.C.B LAYOUT
(TOL. ±0.05) (TOP VIEW)

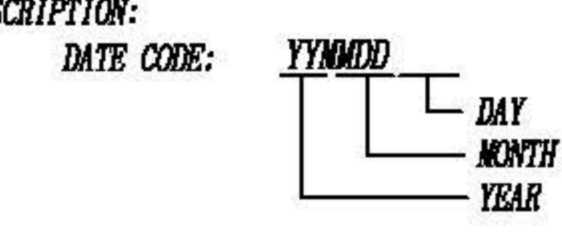


ELECTRICAL CIRCUIT



- SPECIFICATIONS:
- RATING: DC 14V 3.9A
 - INSERTION FORCE: 3.0KG Max.
WITHDRAWAL FORCE: 0.2KG-2.5KG
 - INSULATION RESISTANCE BETWEEN ANY ADJACENT TERMINALS SHALL NOT BE LESS THAN 100 MEGOHMS BY 500 VOLTS MEGGER.
 - JACK SHALL WITHSTAND 250 VOLTS BETWEEN ANY ADJACENT TERMINAL FOR ONE MINUTE.
 - CONTACT RESISTANCE SHALL NOT EXCEED 0.03 OHMS.
 - JACK SHALL WITHSTAND 5,000 CYCLES OF INSERTION AND WITHDRAWAL WITH TESTING PLUG, AND CONTACT RESISTANCE SHALL NOT EXCEED 0.1 OHMS.
 - MEASURING CONDITION:
TEMPERATURE: FROM 5° C TO 35° C.
RELATIVE HUMIDITY: FROM 40% TO 85%.
 - ENVIRONMENTAL SPECIFICATIONS:
 - HUMIDITY TEST: HUMIDITY 90% TO 95% TEMPERATURE 40° C ± 2° C FOR 96 HOURS.
 - HEAT TEST: TEMPERATURE 70° C ± 2° C (HUMIDITY BELOW 50%) FOR 96 HOURS.
 - COLD TEST: TEMPERATURE -40° C ± 2° C FOR 96 HOURS.
 - TO CONFORM TO SINGATRON HAZARDOUS SUBSTANCE FREE SPEC.
 - GREEN PRODUCT IDENTIFICATION MARK IN JACK:
 - GREEN PRODUCT IDENTIFICATION LABEL IN PACKING:
 - SOLDERABILITY AND MAX. SOLDER TEMPERATURE ACCORDING ICP / JEDEC J-STD-020C.
 - PACKAGE: SEE TABLE
 - DATE CODE DESCRIPTION:

G.P. PASS



| NO | DESCRIPTION | QTY | MATERIAL | PLATING & COLOR |
|---------------------------------------|----------------|--|--------------------------------|-----------------|
| F | PIN | 1 | COPPER ALLOY | NICKEL PLATING |
| E | TERMINAL | 1 | COPPER ALLOY, 0.5T | SILVER PLATING |
| D | SHUNT TERMINAL | 1 | COPPER ALLOY, 0.5T | SILVER PLATING |
| C | TIP SPRING | 1 | COPPER ALLOY, 0.25T | SILVER PLATING |
| B | COVER | 1 | HI-TEMP THERMOPLASTIC, UL94V-0 | BLACK COLOR |
| A | BODY | 1 | HI-TEMP THERMOPLASTIC, UL94V-0 | BLACK COLOR |
| UNLESS OTHERWISE SPECIFIED TOLERANCES | | Singatron Electronic Co., Ltd. 信音企業股份有限公司 | | |
| DECIMALS: | | TITLE | | |
| X | : ±0.5 | DC POWER JACK | | |
| X.X | : ±0.3 | DWN SCALE: N/A | | |
| X.XX | : ±0.2 | CHKD UNIT: mm | | |
| TABLE | | APVD SIZE: A3 SHEET: 1 OF 1 | | |
| | | REV: N | | |
| | | CUSTOMER COPY | | |

| P/N | PIN DIA. | PACKAGE |
|--------------|--------------------------------------|---------|
| 2DC-0415-B06 | 2.5 ^{+0.02} _{-0.1} | TAPERED |