

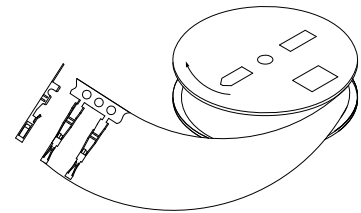
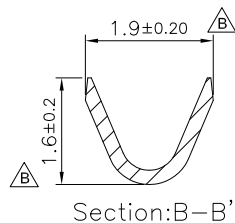
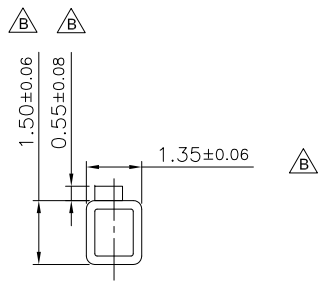
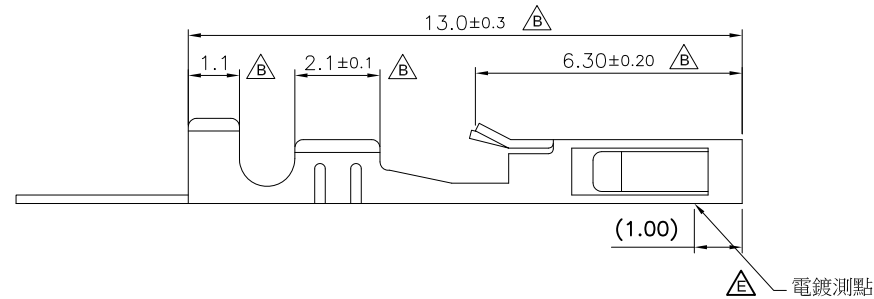
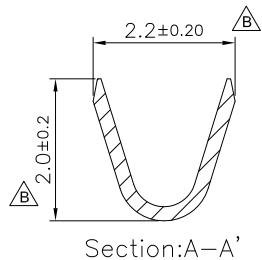
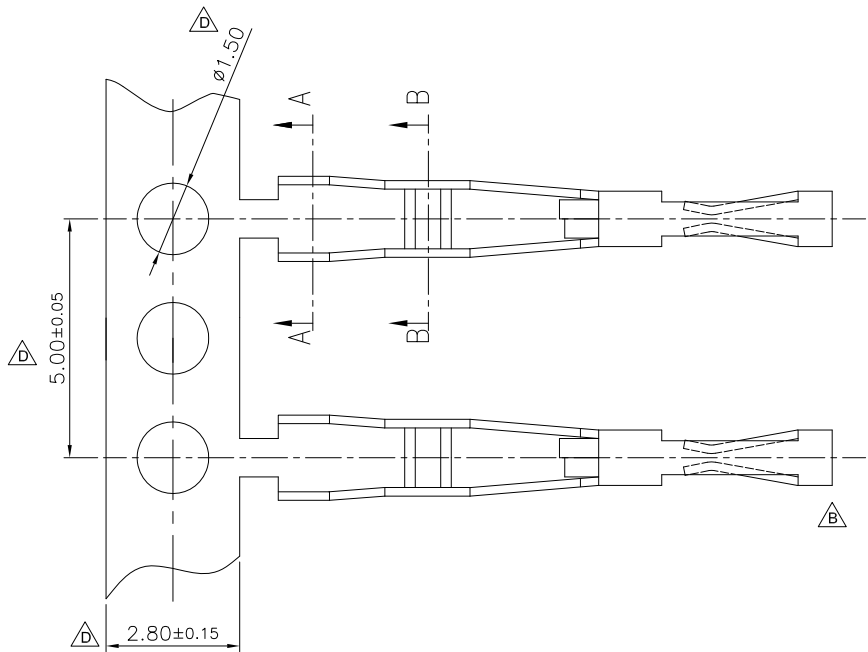
1

2

3

4

5



Materials:  
 Contact material:P-Bronze  
 Thickness:0.2mm  
 Mating Part:3750 Series Housing  
 Q'TY:15,000 Pcs/Reel  
 Applicable Wire: #24 TO #28  
 Insulation O.D:1.70mm(max)  
 How To Order  
 3750TX  
 T: Tin Plated  
 G: Gold Plated

RoHS Compliant

F			
E	23-Sep-2019	Edit plated point	Jerry Chen
D	08-Aug-2018	圖面更新	Jack Huang
C	23-Jan-2018	新增捲繞方向	Jack Huang
B	24-OCT-2017	圖面更新	Jamie Wang
A	30-MAY-2011		Allen
REV	DATE	FILE	BY

DRAWN:  
 Jamie Wang  
 CHECKED:  
 Jerry Chen  
 APPROVAL:  
 Mike Wu

GENERAL TOLERANCE:  
 .X=±0.25  
 .XX=±0.2  
 .XXX=±0.08  
 UNIT: MM  
 SCALE: 1:1  
 SHEET: 1 / 1  
 PROJECTION:



DESCRIPTION:  
 2.54mm Crimp Terminal  
 PART NO:  
 3750TX

SIZE  
**A4**