

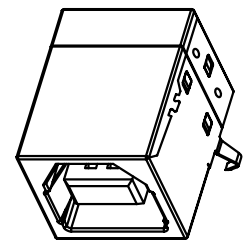
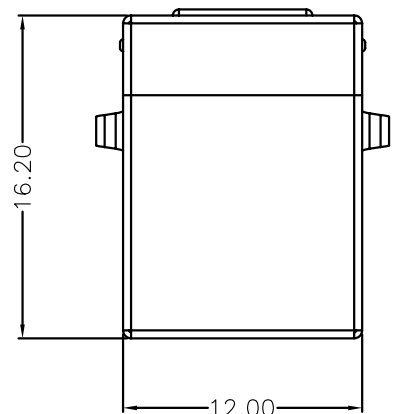
1

2

3

4

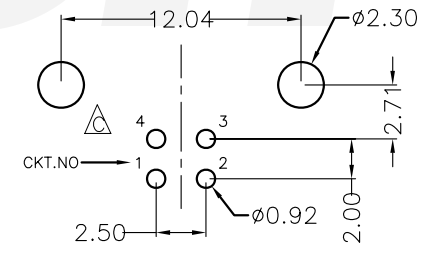
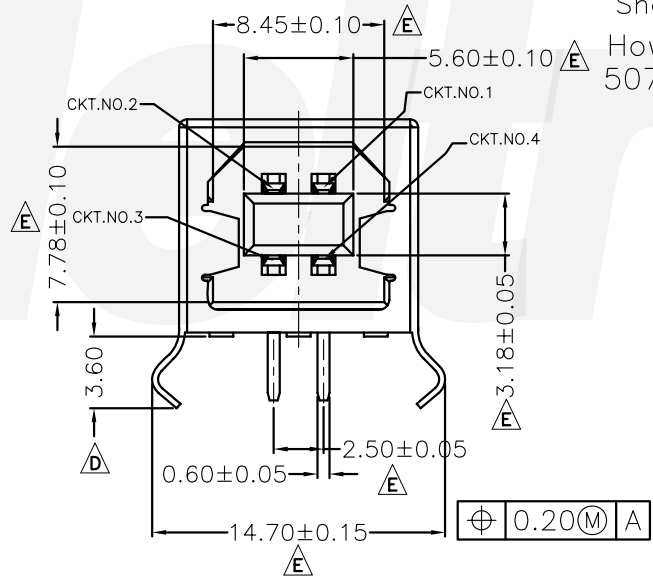
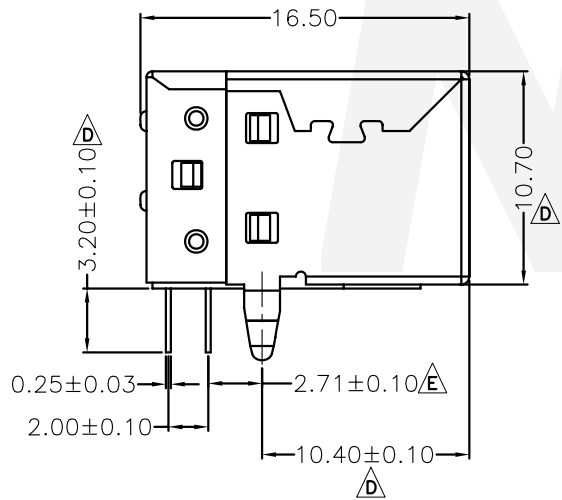
5



Specifications:
 Current Rating:1.0A AC/DC
 Voltage Rating:30V AC/DC
 Contact Resistance:30m ohm. Max.
 Insulation Resistance:1,000M ohm. min.
 Withstanding Voltage:500V AC For One Minute
 Operating Temperature Range:-40°C ~ +105°C
 Material and Finish
 Insulator:PBT (UL94V-0)
 Contact:Phosphor Bronze
 Plating:Gold Plated on Contact Area,
 Tin Plated on Solder Tail.
 Shell:Brass,Nickel Plated

How To Order
 5075BR-04-XX-XX

Standard Selective Plated
 15:Selective Gold Plated 15u"
 30:Selective Gold Plated 30u"
 BK:Black
 WH:White



PCB LAYOUT (Top View)

RoHS Compliant

				DRAWN: Jon	GENERAL TOLERANCE: .X=±0.20 .XX=±0.15	 繼德工業股份有限公司 Neltron Industrial Co., Ltd.	
				CHECKED: Jerry Chen	UNIT: MM		DESCRIPTION: USB B Type PCB Socket Right Angle
E	25-Dec-2008	ECN-CN081239	zhangxh	APPROVAL: Mike Wu	SCALE:1:1	PART NO:	5075BR-04-XX-XX
D	15-Jul-2008	ENC-CN080722	Leo		SHEET: 1 / 1		
B	14-Sep-2006	(PC0001)	Wendy				
REV	DATE	FILE	BY		PROJECTION:		