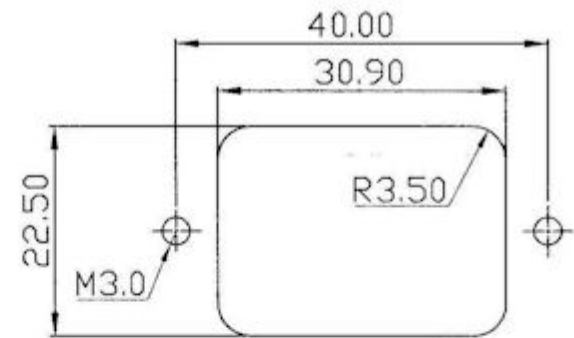


FOR FRONT MOUNTING USE



FOR REAR MOUNTING USE

				 一暉實業有限公司 AVVICON ELECTRONIC CORP.			
2	Pin	3PCS	Cu Plated Sn	普通公差 COMMON TOLERANCE:	DIMENSION	ANGULAR	品名 PRODUCT NAME
1	Body	1PCS	PBT		0~10 ±0.1;	±5°	AC Inlet
ITEM	PART NAME	QTY	MATERIAL	UNIT:mm	10~30 ±0.3;		型號 MODEL NO.
額定規格 RATING: 10A 250V, 15A 250V~				投影 PROJECTED	30~100 ±0.5.		AC-110
				比例 SCALE	1:1	圖檔號 FILE NO.	繪圖 DRAWN BY
							日期 DATE
							2005/05/30
							核對 CHECKED BY
							核準 APPROVAL BY