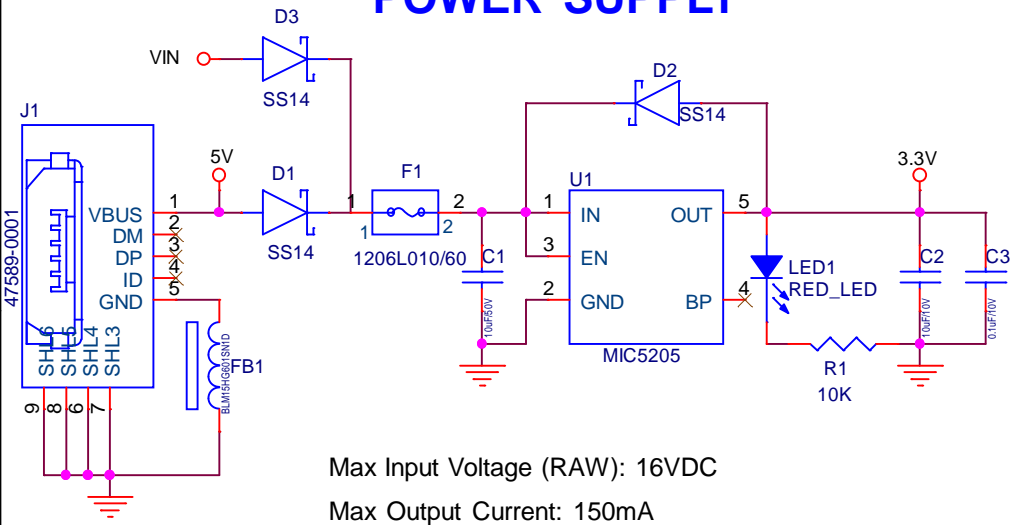
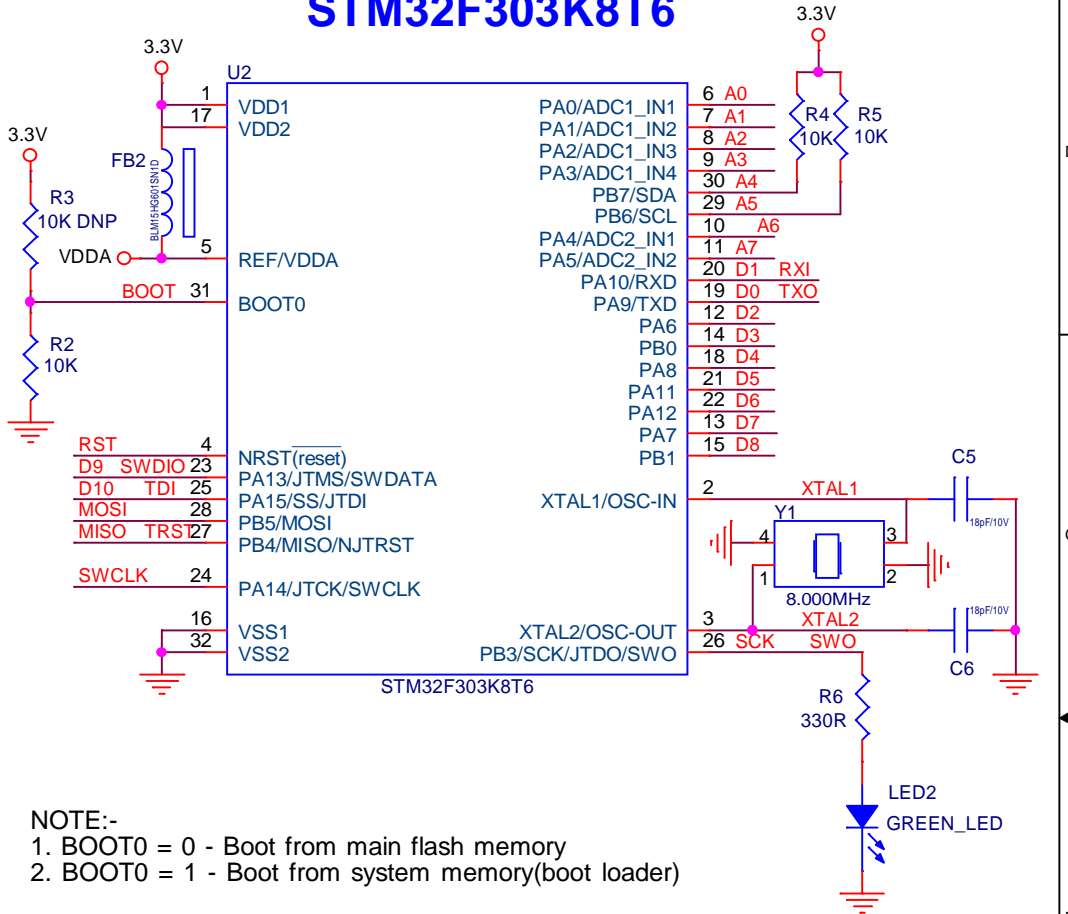


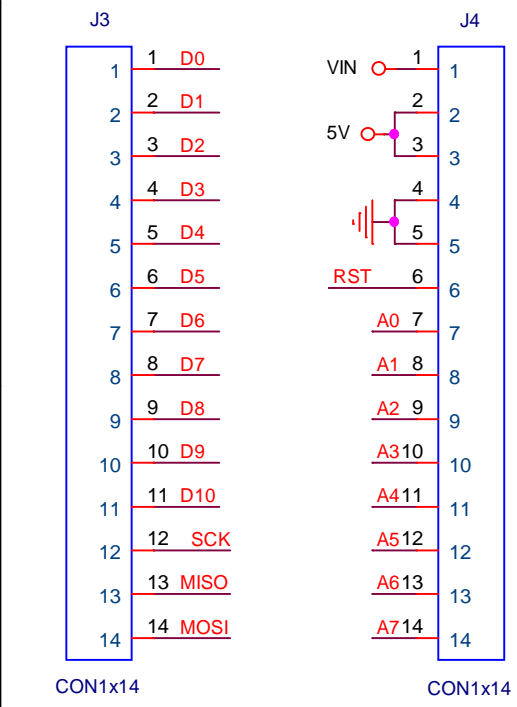
POWER SUPPLY



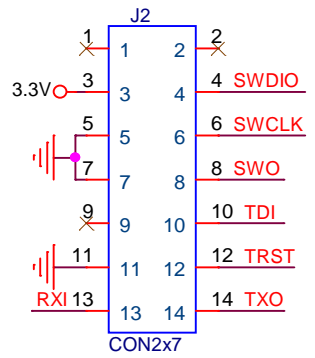
STM32F303K8T6



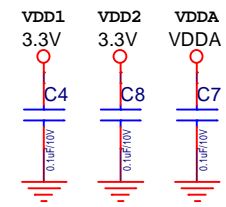
BREAKOUT HEADER



JTAG/SWD and VCP



DECAPS



RESET SWITCH

