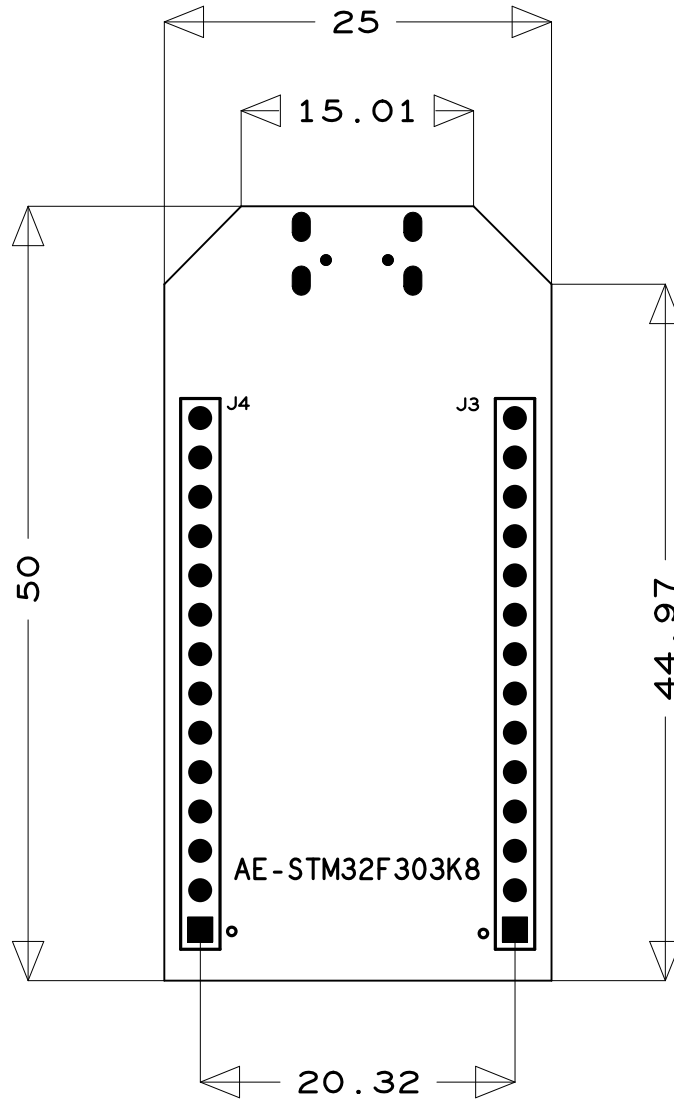
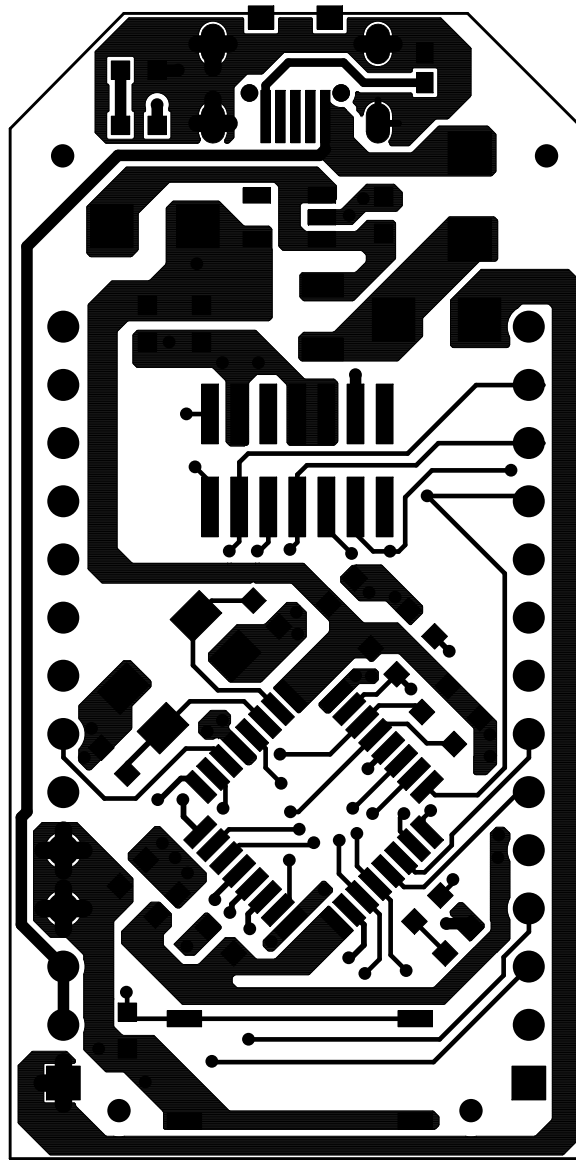


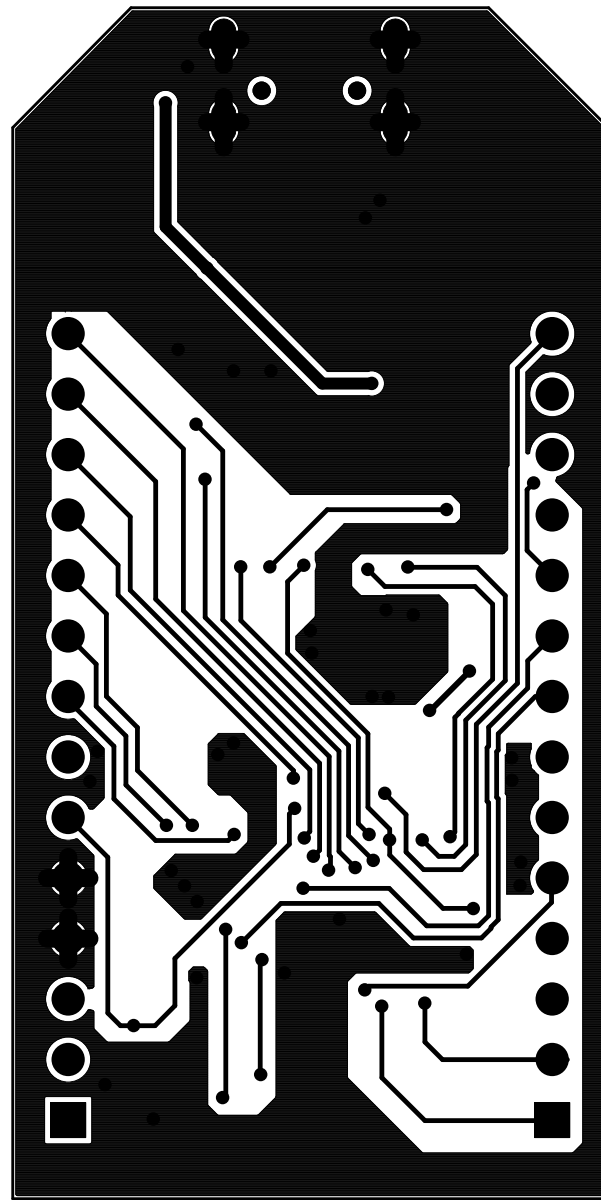
All Dimensions are in:MM



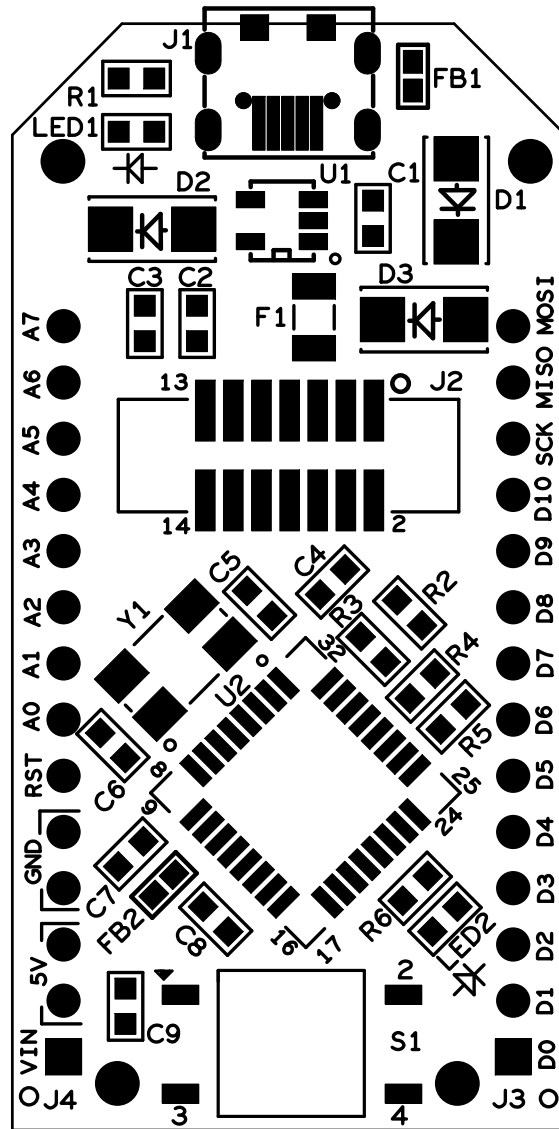
DIMENSIONS



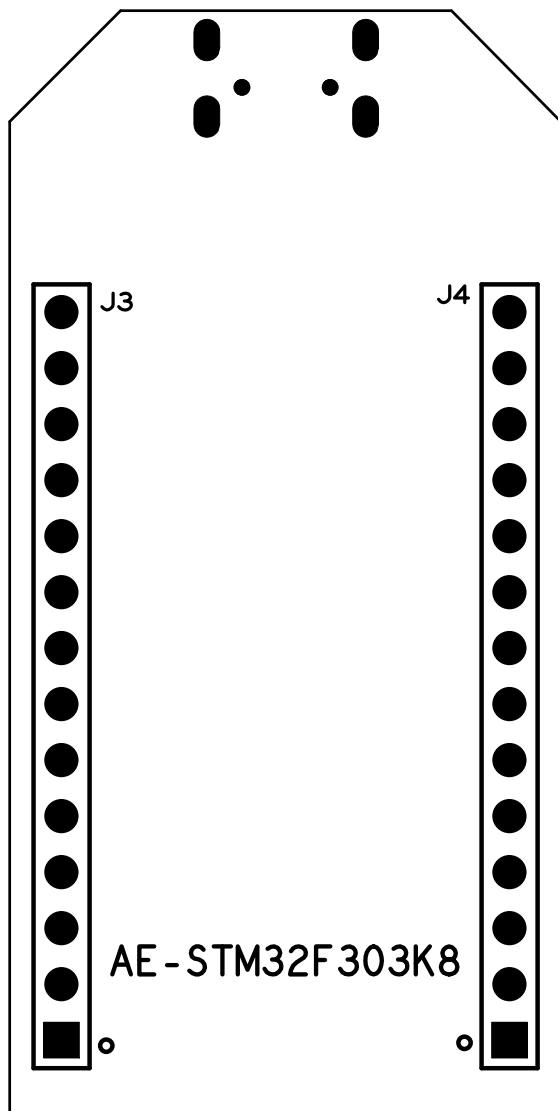
TOP - ETCH



BOTTOM_ETCH



SILKSCREEN_TOP WITH PINS



SILKSCREEN_BOT WITH PINS