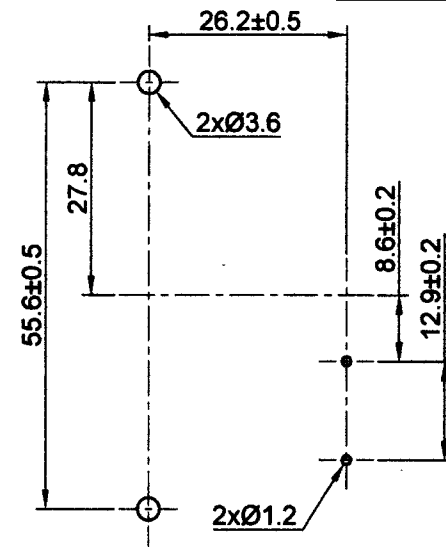
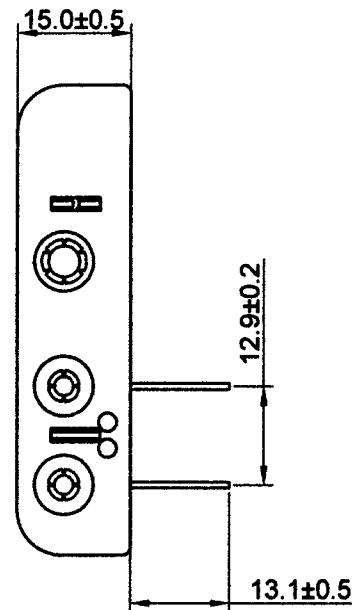
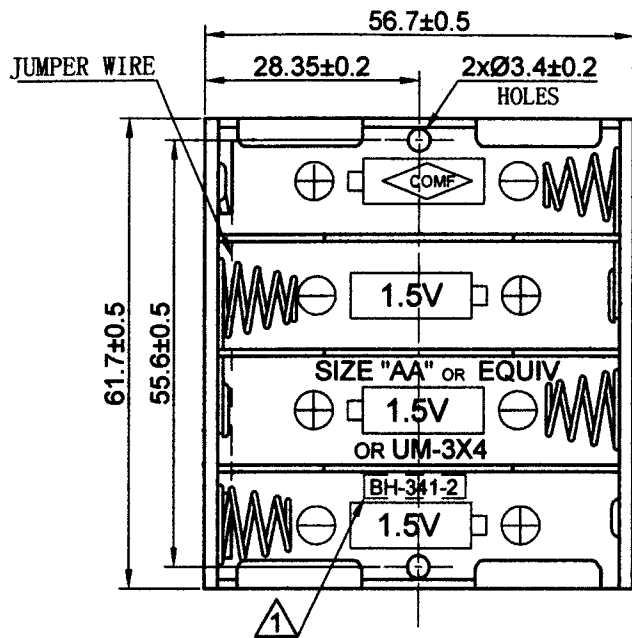
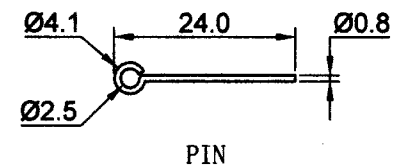
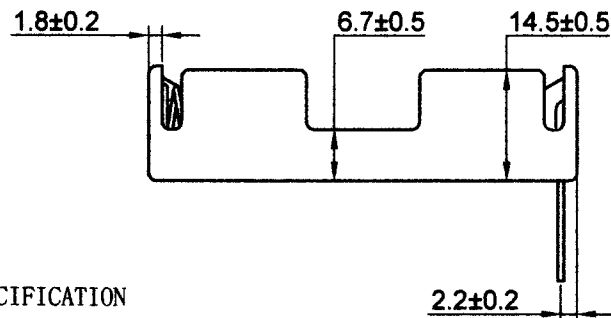


参考資料



PCB/MOUNTING LAYOUT



PIN

SPECIFICATION

- (1) ITEM NO. : BH-341-2P24
- (2) WITH PIN: Ø0.8x24MM, BRASS NICKEL PLATED
- (3) HOLDER MATERIAL: P. P. RESIN, BLACK COLOR
- (4) SPRING MATERIAL: Ø0.7 MM 65C SPRING STEEL NICKEL PLATED
- (5) RIVET MATERIAL: BRASS NICKEL PLATED
- (6) RoHS COMPLIANT

			COMFORTABLE ELECTRONIC CO.LTD.		
	Add MODEL NO. : "BH-341-2"	JUL/24/08	NAME	BATTERY HOLDER: BH-341-2P24	
NO.	MODIFICATION	DATE	SCALE	1:1	APPD
General Tolerances			UNIT	MM	CHKD
0 ~ >3	± 0.10	30 ~ >120 ± 0.30	MAT'L	SEE SPEC.	DWN
3 ~ >6	± 0.10	120 ~ >400 ± 0.50	DATE	AUG. 27. 2001	DR NO
6 ~ >30	± 0.20	Angle: ± 3°	3412P24-0801		

The Third Angle Projection