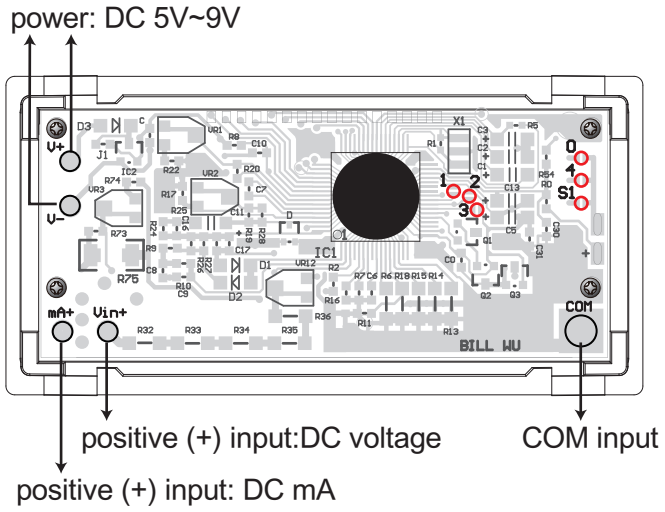


CIRCUIT DIAGRAM



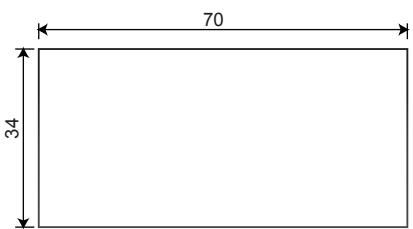
SPECIFICATION

- **Display :** LCD 1999 (3 1/2 digits), 0.73" (18.5mm) height LCD
- **Operating Supply Voltage :** DC 5V ~ DC 9V ±10%
- **Accuracy :** DCV / DCmA : 0.5%rdg+3d (23°C±5°C)
- **Conversion Rate :** Approx. 3 times/second
- **Negative Polarity :** “-” symbol display automatically
- **Over Range Indication :** “OL” symbol Display LCD
- **Temp./ Humidity :**
 - Operating : -10~55°C / Below 80% R.H. (No Condensation)
 - Storage : -15~60°C / Below 70% R.H. (No Condensation)
- **Power Current :** approx. DC 1.6mA (typical)
- **DCV Input Resistance :** ≅ 10MΩ
- **DCmA Input Resistance :** Typical 1Ω
- <18°C , >28°C add 0.15×(specified accuracy)/°C

SET RANGE

max. measurement value	short-circuit joint
200.0mV	4、S1
2.000V	0、4、S1
20.00V	1、4、S1
200.0V	2、4、S1
600V	3、4、S1
20.00mA	2、3、S1
200.0mA	2、3、S1

PANEL CUTOUT SIZE



得益工業儀器有限公司
DER EE
ELECTRICAL INSTRUMENT CO., LTD.

7F, No. 351, Sec. 2, Chung Shan Rd.,
 Chung Ho Dist., New Taipei City, Taiwan
 TEL:886-2-2226-6789(REP.) FAX:886-2-2226-7979
 E-mail:deree@ms21.hinet.net
<http://www.deree.com.tw>

Specifications and appearance may be revised if needed without any prior notice. Any further product info please contact us