

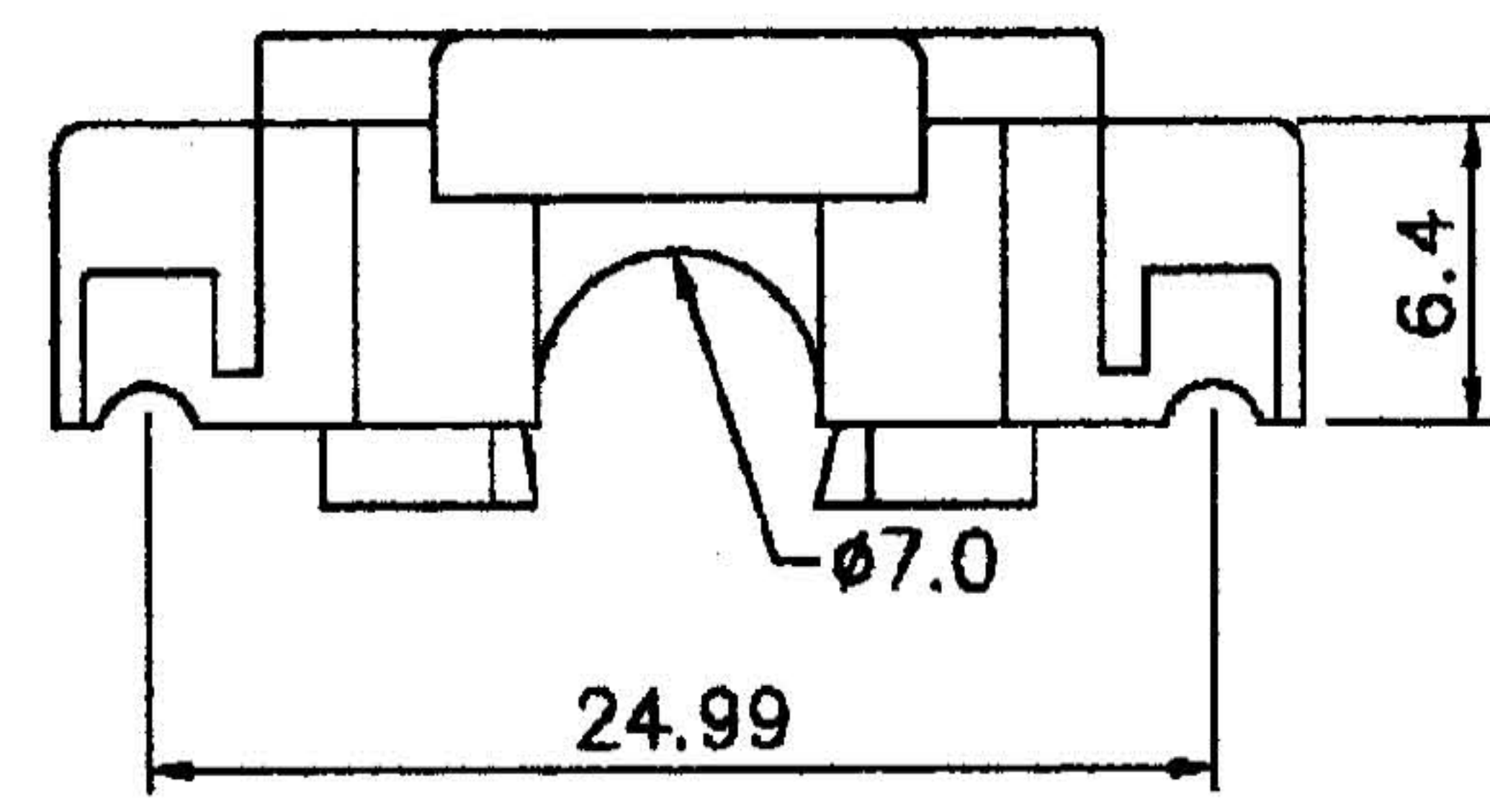
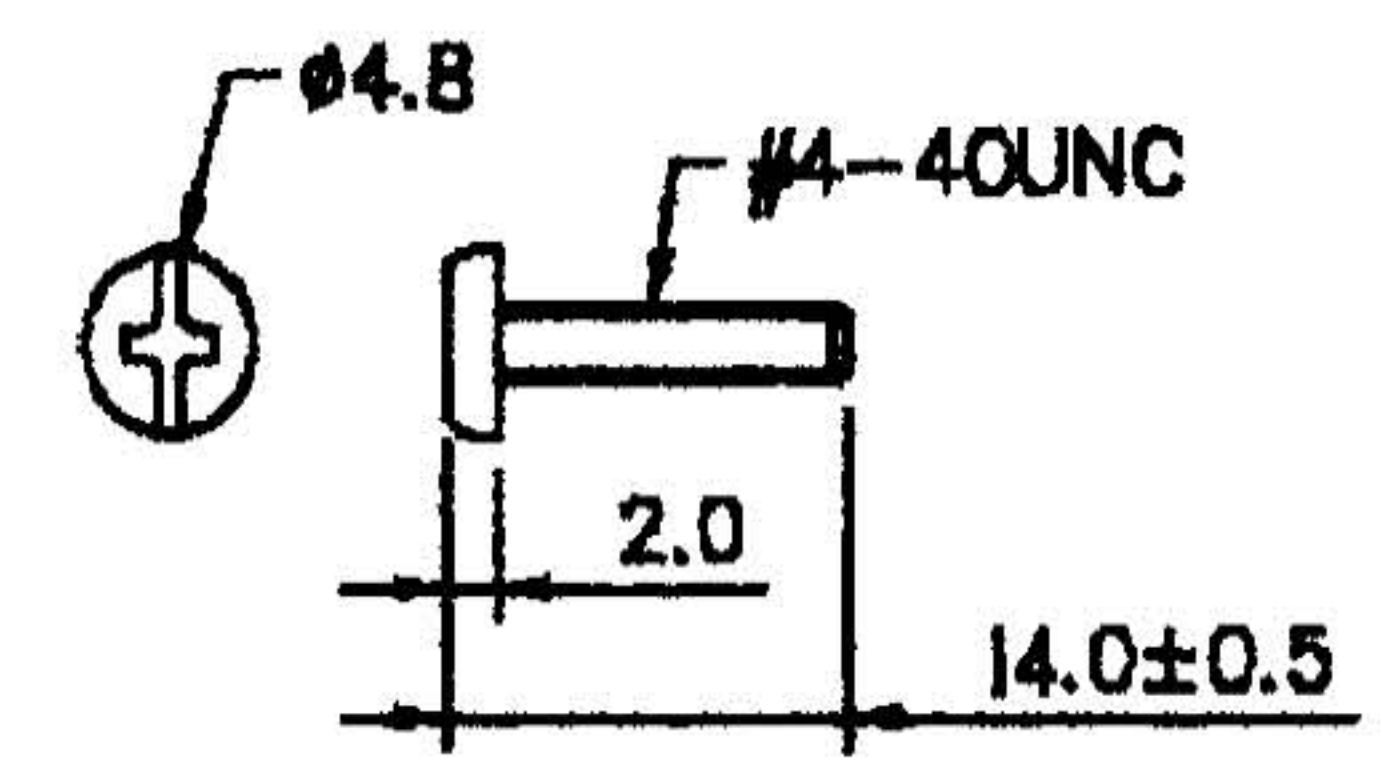
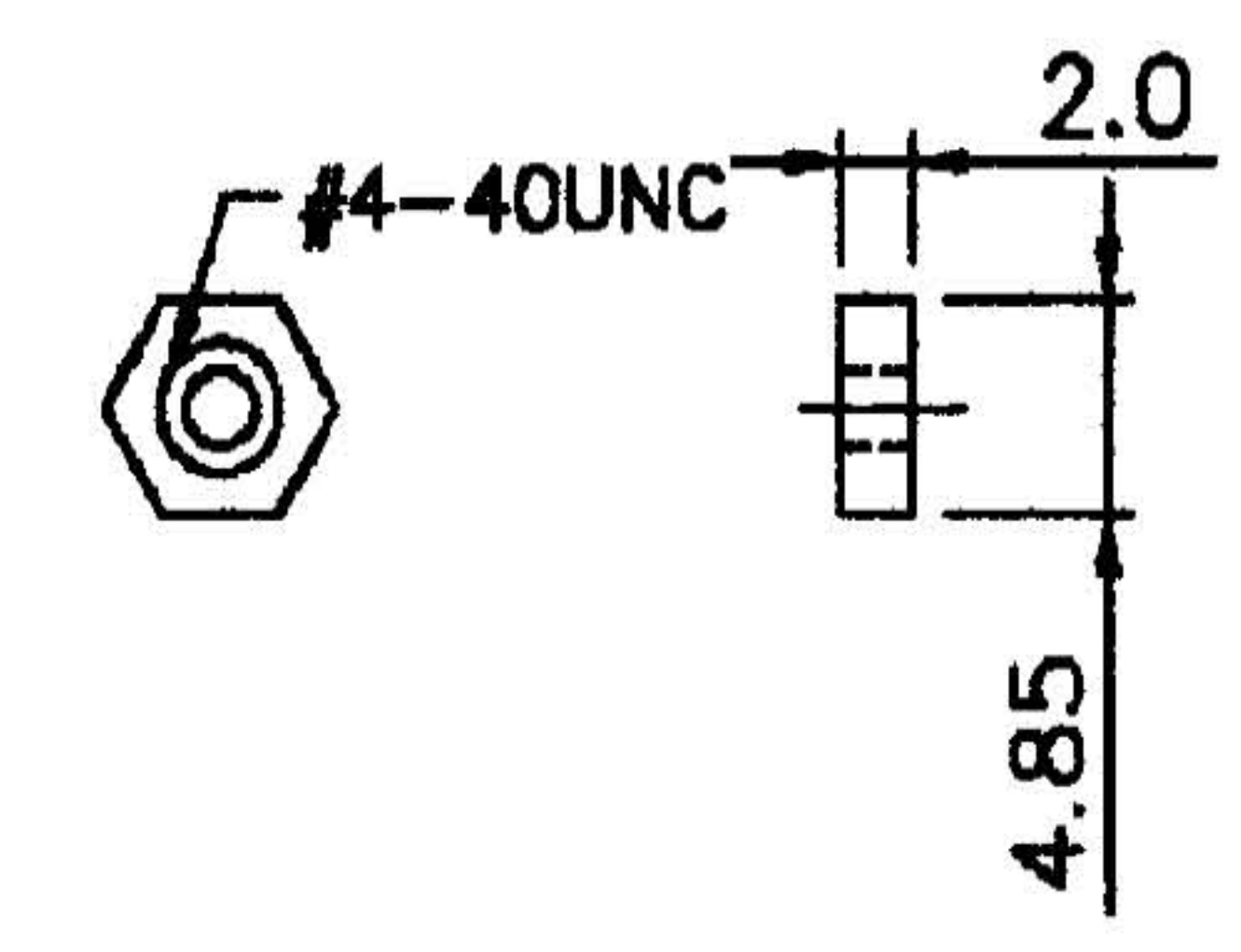
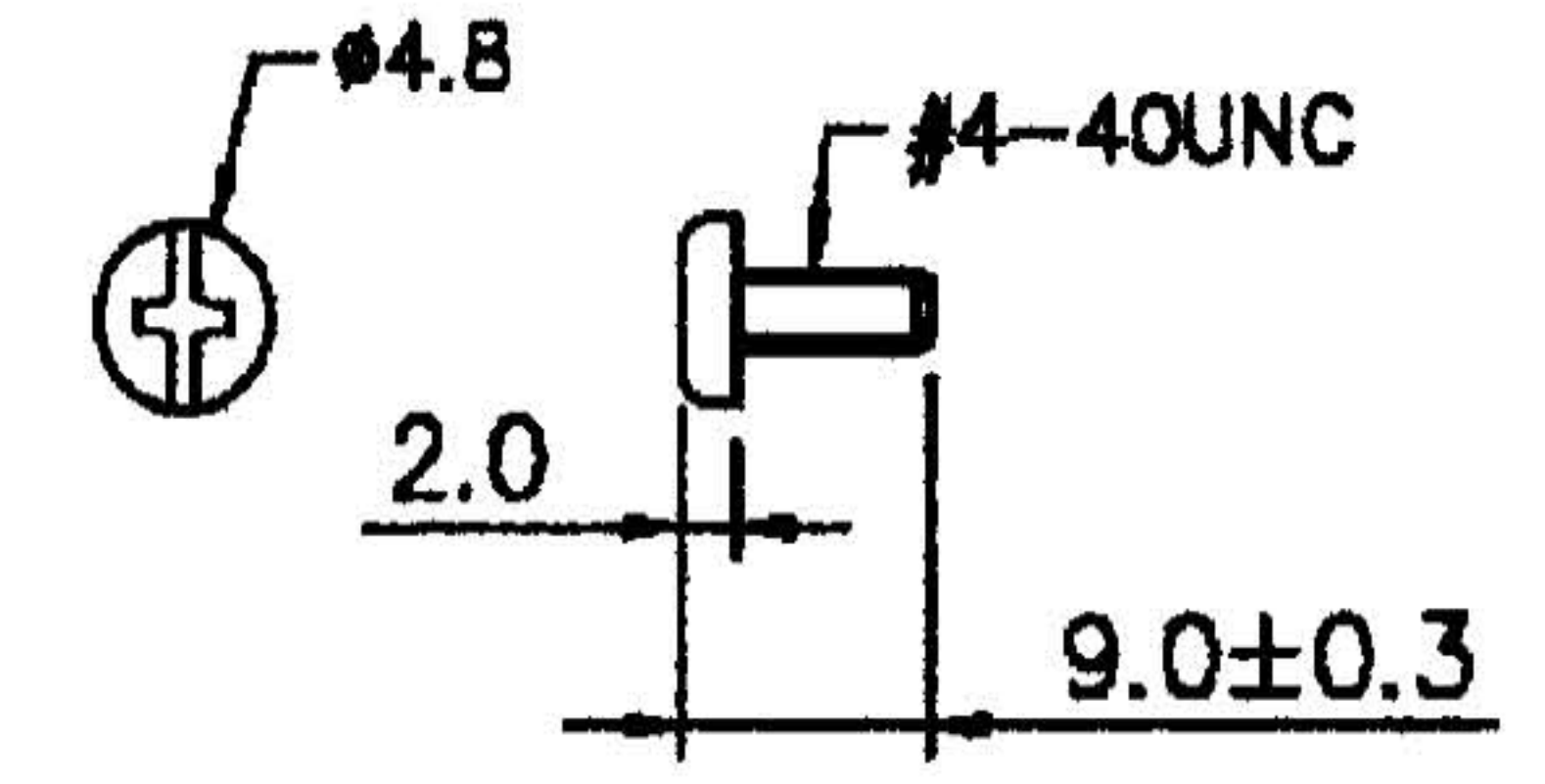
Material

Insulator : ABS UL 94HB

Color : grey, Black, Ivory

Screw / Nut / Clip : nickel plated steel

RoHS Compliance



E				DRAWN:	GENERAL TOLERANCE:			DESCRIPTION: D-Sub Hood, plastic, 9P	SIZE A4
D					.0	.00	.000		
C				CHECKED:	+/-0.20	+/-0.15	+/-0.05		
B					UNIT : MM				
A				APPROVAL:	SCALE :				
REV	DATE	FILE	BY		SHEET : 1 / 1			PART NO: DHA - 09PS	