

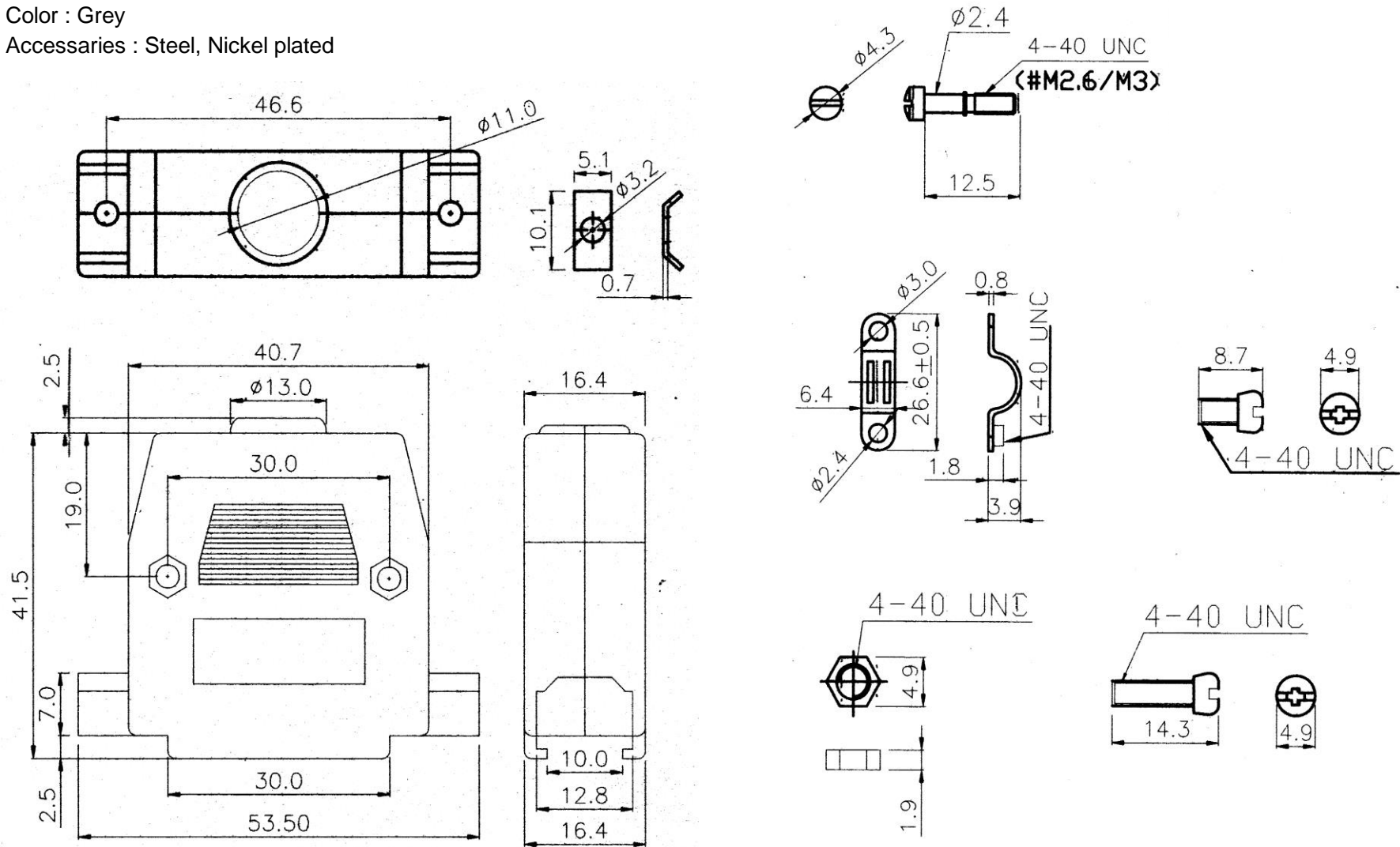
**Material**

Insulator : ABS UL 94V-0

Color : Grey

Accessories : Steel, Nickel plated

**RoHS Compliant**



E				Drawn:	<b>General Tolerance</b>			<i>Useconn Electronics Ltd.</i>		
D				David Chang	.0	.00	.000			
C				Checked:	$\pm 0.20$	$\pm 0.15$	$\pm 0.05$	Title : D-Sub Plastic Hood 25pin, 11.0mm cable entry hole		
B				Ivy Lee	Unit : mm					
A	10-Aug-09	new release	David	Appraisal:	Scale :			Part No.	DHA - 25 PS-2	File No. : SKDHA-25PS-2
Rev.	Date	File	BY	Simon Chen	Sheet : 1/1					