

# SPECIFICATION

## SHEET FOR APPROVAL

**CUSTOMER:**

**PRODUCTS:**

**MODEL NUMBER: DXYD40-22P-4A**

**CUSTOMER PART NUMBER:**

**CONCISE DESCRIPTION:**

	PREPARED	CHECKED	APPROVED
SIGNATURE			
DATE	2020/12/22	2020/12/22	2020/12/22

### CUSTOMER CONFIRMATION

**SIGNATURE:** \_\_\_\_\_

**DATE:** \_\_\_\_\_

**常州声易尚电子有限公司**  
**CHANGZHOU E-SOUND ELECTRONICS CO., LTD.**

<b>SPECIFICATION</b>		MODEL NO.	<b>DXYD40-22P-4A</b>	<b>P1/5</b>												
ISSUED DATE		UPDATE	00													
<p><b>1. SCOPE</b></p> <p>This specification covers our product of dynamic speaker unit is for cordless phone use. .</p> <p><b>2. MECHANICAL LAYOUT &amp; DIMENSIONS</b></p> <p>Shown in Fig.4</p> <p><b>3. GENERAL REQUIREMENTS</b></p> <p><b>3.1 OPERATING TEMPERATURE RANGE:</b> -20°C ~ +65°C</p> <p><b>3.2 STANDARD TEST CONDITIONS:</b></p> <table style="width: 100%; border: none;"> <tr> <td style="padding-left: 20px;">Temperature:</td> <td style="padding-left: 100px;">17~25°C</td> </tr> <tr> <td style="padding-left: 20px;">Relative Humidity:</td> <td style="padding-left: 100px;">45%~80%(RH)</td> </tr> <tr> <td style="padding-left: 20px;">Air Pressure:</td> <td style="padding-left: 100px;">860~1060 hPa</td> </tr> </table> <p><b>3.3 JUDGEMENT CONDITIONS:</b></p> <table style="width: 100%; border: none;"> <tr> <td style="padding-left: 20px;">Temperature:</td> <td style="padding-left: 100px;">20±2°C</td> </tr> <tr> <td style="padding-left: 20px;">Relative Humidity:</td> <td style="padding-left: 100px;">60%~70%(RH)</td> </tr> <tr> <td style="padding-left: 20px;">Air Pressure:</td> <td style="padding-left: 100px;">860~1060 hPa</td> </tr> </table> <p><b>4. ELECTROACOUSTIC CHARACTERISTIC</b></p> <p><b>4.1 SOUND PRESSURE LEVEL</b></p> <p style="padding-left: 20px;">88±3dB SPL (Average at 800Hz,1000Hz,1200Hz,1500Hz)</p> <p style="padding-left: 20px;">Measuring condition: 1.0W (Sine wave) 0.1m measured with baffler shown in Fig.1.</p> <p><b>4.2 IMPEDANCE:</b> 4±15%Ω (@ 1KHz 1V) without baffler.</p> <p><b>4.3 MEASURING DIAGRAM:</b> Shown in Fig.1.</p> <p><b>4.4 TYPICAL FREQUENCY RESPONSE CURVE:</b> Shown in Fig.2.</p> <p><b>4.5 RATED POWER:</b> 3.0W (White Noise for 48hours) .</p> <p style="padding-left: 20px;"><b>MAX POWER:</b> 4.0W.</p> <p><b>4.6 RESONANCE FREQUENCY (F<sub>0</sub>):</b> 220±20%Hz @ 1V.</p> <p><b>4.7 SOUND POWER:</b> 3.0W (F<sub>0</sub>~20KHz) must be normal with sine wave 3.46Vrms).</p>					Temperature:	17~25°C	Relative Humidity:	45%~80%(RH)	Air Pressure:	860~1060 hPa	Temperature:	20±2°C	Relative Humidity:	60%~70%(RH)	Air Pressure:	860~1060 hPa
Temperature:	17~25°C															
Relative Humidity:	45%~80%(RH)															
Air Pressure:	860~1060 hPa															
Temperature:	20±2°C															
Relative Humidity:	60%~70%(RH)															
Air Pressure:	860~1060 hPa															
NO	DATE	DUE TO	NEW STATUS		SIGNATURE											
			REVISION	UPDATE												
1																
2																
3																
4																

常州声易尚电子有限公司

CHANGZHOU E-SOUND ELECTRONICS CO., LTD TEL:0086-519-83993358

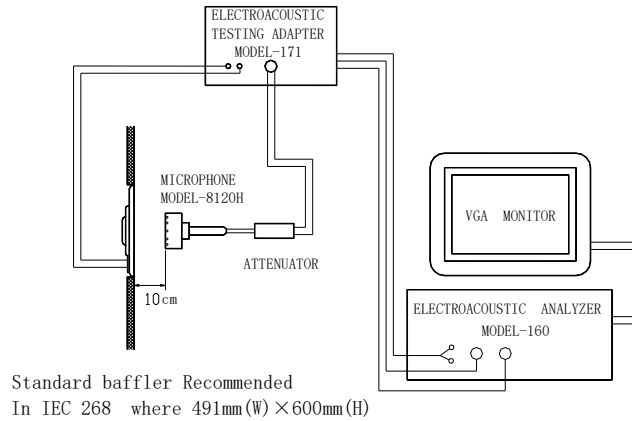
<http://www.duoxin.com>

E-mail:[info@duoxin.com](mailto:info@duoxin.com)

**常州声易尚电子有限公司**  
**CHANGZHOU E-SOUND ELECTRONICS CO., LTD.**

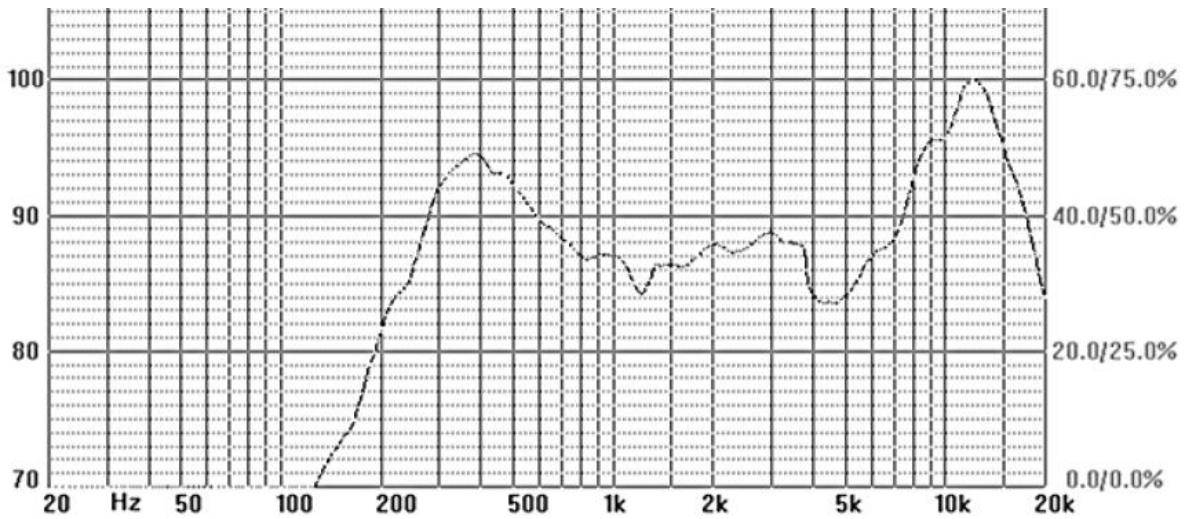
<b>SPECIFICATION</b>		MODEL NO.	<b>DXYD40-22P-4A</b>	<b>P2/5</b>
ISSUED DATE		UPDATE	00	

■ **FREQUENCY MEASURING CIRCUIT (SPEAKER MODE) (Fig.1)**



*Fig.1 Illustration of measuring diagram (speaker mode)*

■ **TYPICAL FREQUENCY RESPONSE CURVE (SPEAKER MODE) (Fig.2)**



*Fig.2 Typical frequency response curve (speaker mode)*

NO	DATE	DUE TO	NEW STATUS		SIGNATURE
			REVISION	UPDATE	
1					
2					
3					
4					

**常州声易尚电子有限公司**  
**CHANGZHOU E-SOUND ELECTRONICS CO., LTD.**

<b>SPECIFICATION</b>		MODEL NO.	<b>DXYD40-22P-4A</b>	<b>P3/5</b>	
ISSUED DATE		UPDATE	00		
<b>6. RELIABILITY TESTS</b>					
The sound pressure as specified shall neither deviate more than $\pm 3\text{dB}$ from the initial value, nor any significant damage after any of following testing.					
<b>6.1 HIGH TEMPERATURE TEST</b>					
High temperature:		<b>+70<math>\pm</math>3<math>^{\circ}</math>C</b>			
Duration:		<b>48 hours</b>			
<b>6.2 LOW TEMPERATURE TEST</b>					
Low temperature :		<b>-20<math>\pm</math>3<math>^{\circ}</math>C</b>			
Duration:		<b>48 hours</b>			
<b>6.3 HUMIDITY TEST</b>					
Temperature:		<b>+40<math>\pm</math>2<math>^{\circ}</math>C</b>			
Relative humidity:		<b>90~95%</b>			
Duration:		<b>48 hours</b>			
<b>6.4 TEMPERATURE CYCLE TEST (See in Fig.3)</b>					
Temperature:		<b>-20<math>^{\circ}</math>C <math>\longleftrightarrow</math> +70<math>^{\circ}</math>C</b>			
Duration:		<b>1hr   0.5hr   1hr</b>			
Temperature gradient:		<b>1~3<math>^{\circ}</math>C/min.</b>			
Cycle:		<b>6</b>			
<b>6.5 DROP TEST</b>					
Mounted with dummy set mass:		<b>100 g</b>			
Height:		<b>75cm</b>			
Cycle:		<b>3times(corner, side, plane) onto the concrete board</b>			
<b>6.6 LOAD TEST</b>					
Speaker mode: White noise (EIA filter) for <b>48 hours @3.0W(3.46Vrms)</b> input power.					
NO	DATE	DUE TO	NEW STATUS		SIGNATURE
			REVISION	UPDATE	
1					
2					
3					
4					

常州声易尚电子有限公司

CHANGZHOU E-SOUND ELECTRONICS CO., LTD    TEL:0086-519-83993358

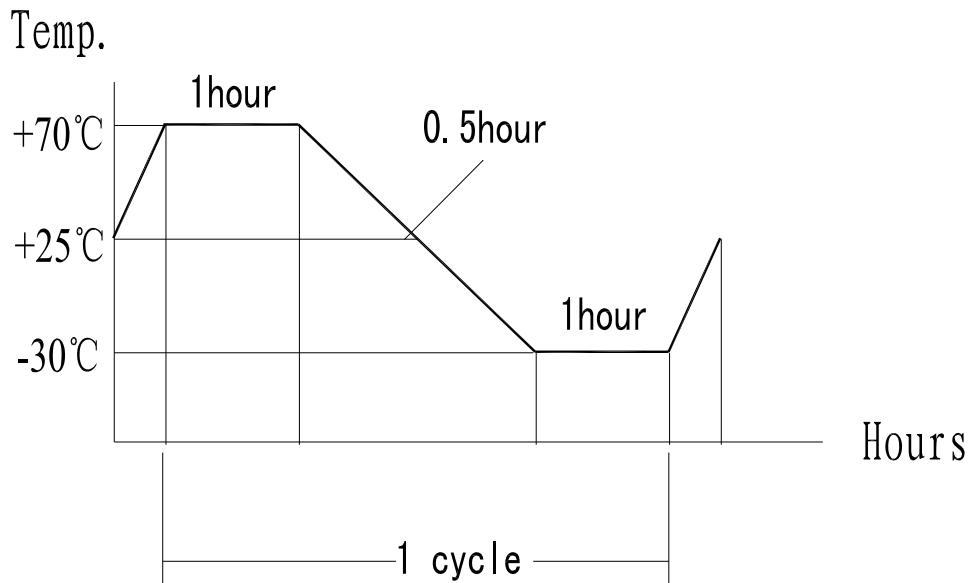
<http://www.duoxin.com>

E-mail:[info@duoxin.com](mailto:info@duoxin.com)

**常州声易尚电子有限公司**  
**CHANGZHOU E-SOUND ELECTRONICS CO., LTD.**

<b>SPECIFICATION</b>		MODEL NO.	<b>DXYD40-22P-4A</b>	<b>P4/5</b>
ISSUED DATE		UPDATE	00	

**TEMP. CYCLE TEST (Fig.3)**



*Fig.3 Illustration of temp. cycle test*

NO	DATE	DUE TO	NEW STATUS		SIGNATURE
			REVISION	UPDATE	
1					
2					
3					
4					

常州声易尚电子有限公司

CHANGZHOU E-SOUND ELECTRONICS CO., LTD TEL:0086-519-83993358

<http://www.duoxin.com>

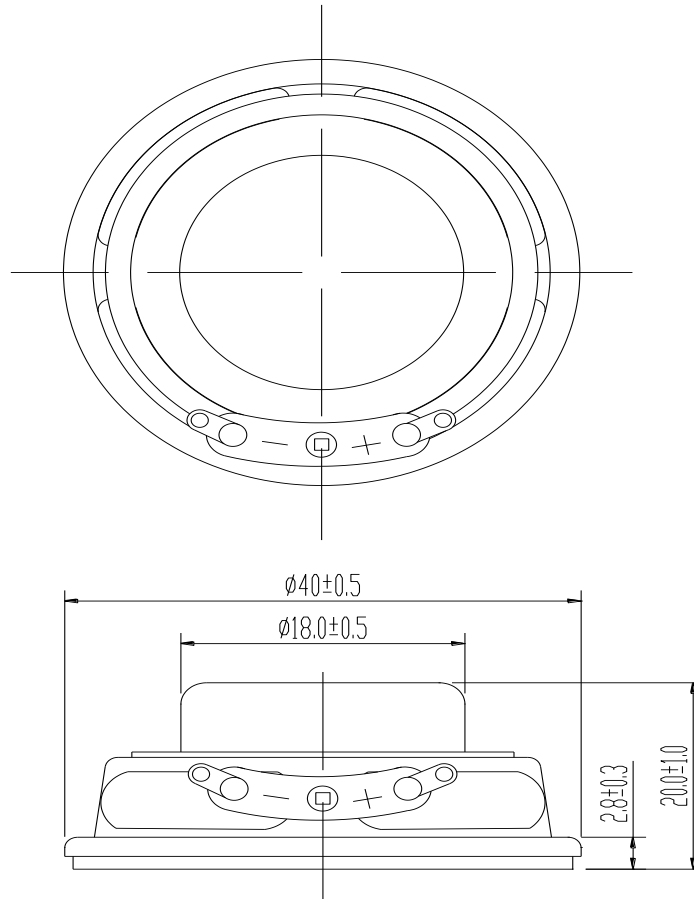
E-mail:[info@duoxin.com](mailto:info@duoxin.com)

**常州声易尚电子有限公司**  
**CHANGZHOU E-SOUND ELECTRONICS CO., LTD.**

<b>SPECIFICATION</b>		MODEL NO.	<b>DXYD40-22P-4A</b>	<b>P5/5</b>
ISSUED DATE		UPDATE	00	

**6. DIMENSIONS (Fig.4)**

Unless otherwise specified, tolerance:  $\pm 0.2$  (unit: mm)



*Fig.4 Outer dimension*

NO	DATE	DUE TO	NEW STATUS		SIGNATURE
			REVISION	UPDATE	
1					
2					
3					
4					