

PANEL MOUNTING

SPECIFICATIONS

RATING: DC9V,1A

CONTACT RESISTANCE:30mΩ MAX.

INSULATION RESISTANCE:DC 500V 100MΩ MIN.

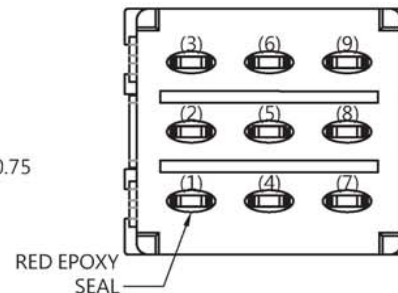
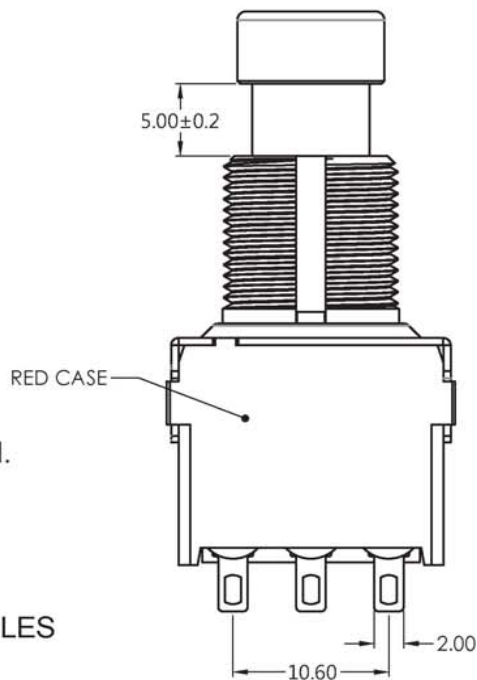
DIELECTRIC STRENGTH:500V RMS @SEA LEVEL.

OPERATING FORCE : 3.0±0.8Kgf

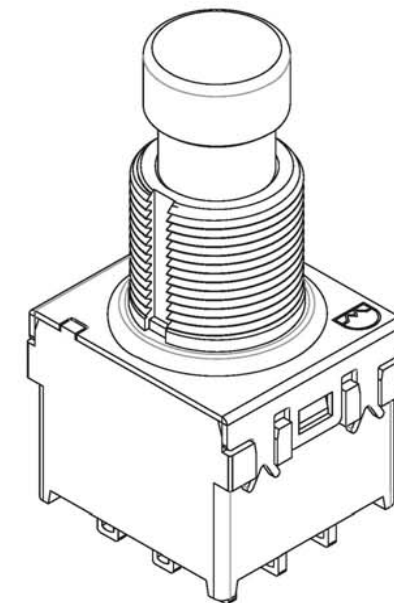
OPERATING TEMP : -10°C ~ +70°C

MECHANICAL LIFE:30,000 MAKE-AND-BREAK CYCLES

RoHS & Lead Free



| SWITCH FUNCTION | | Term. Comm. |
|-----------------|------|------------------------------------|
| | | |
| ON | (ON) | 2-1,5-4,8-7 ON 2-3,5-6,8-9 (ON) |

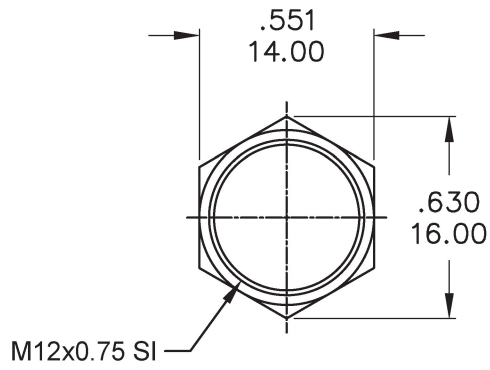


| | PART NO. | PART NAME | Q'TY |
|---|----------|---------------|------|
| 1 | MNU-PA03 | M12x0.75 NUTS | 2 |
| 2 | NU-7K01 | WASHER | 1 |
| 3 | NU-1M09 | TOOTH WASHER | 1 |

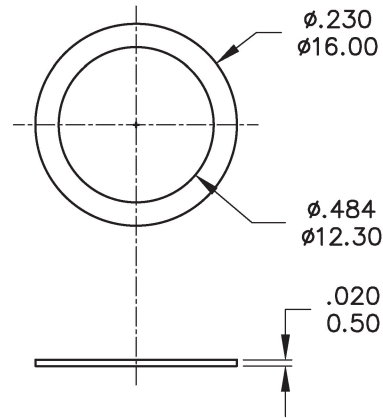
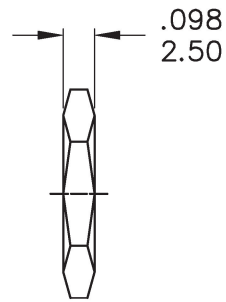
FILE NAME : HARDWARE-0097

COSLAND COSLAND CO.,LTD.
E-Mail: cosland@cosland.com

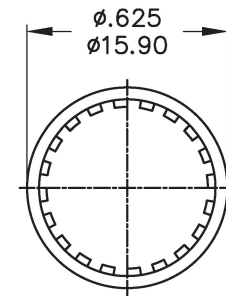
| 符號 | 原尺寸 | 修改後尺寸 | 變更日期 | SCALE (比例) : 1:1 | TITLE 圖名 | SIZE 圖紙 | |
|-------|-----|-------|------|---|---------------------|--------------------|------------|
| 1 (A) | | | | TOLERANCE (公差) : 0.00mm±0.25mm 0.0mm±0.40mm ANGULAR: ±5° FILE NAME : FK0041 | Pushbutton Switches | A4 | |
| 2 (B) | | | | | DWG NO. 圖號 | FK37P20B2C3M1QES-5 | UNIT 單位 mm |
| 3 (C) | | | | | REV. 版本 | A | DATE 日期 |
| 4 (D) | | | | | DATE | MAR - 03 - 2020 | SHEET 張數 |
| 5 (E) | | | | | APPROVE 審核 | CHECK 確認 | DRAW 製圖 |
| | | | | | IRENE | 1 of 1 | |



MNU-PA03



NU-7K01



.039 THK
1.0

NU-1M09

| | PART NO. | PART NAME | Q'TY |
|---|----------|------------------|------|
| 1 | MNU-PA03 | M12x0.75 SI NUTS | 2 |
| 2 | NU-7K01 | WASHER | 1 |
| 3 | NU-1M09 | TOOTH WASHER | 1 |

| | | | |
|-----------------------------|-------------------------------|-------------------------|-------------|
| COSLAND | | COSLAND CO.,LTD. | |
| E-Mail: cosland@cosland.com | | | |
| TITLE 圖名 | HARDWARE | | SIZE 圖紙 |
| DWG NO. 圖號 | 15/32 IN BUSHING PART-TYPE 68 | | A4 |
| REV. 版本 | DATE 日期 | DEC - 08 - 2015 | SHEET 張數 |
| CHECKED BY 審核 | 陳燈財 | | 1 of 1 |
| | DRAWN BY 製圖 | | IRENE |

| | 符號 | 原尺寸 | 修改後尺寸 | 變更日期 |
|---|----|-----|-------|------|
| 1 | Ⓐ | | | |
| 2 | Ⓑ | | | |
| 3 | Ⓒ | | | |
| 4 | Ⓓ | | | |
| 5 | Ⓔ | | | |

SCALE (比例): 2 : 1

TOLERANCE (公差):
0.00 mm ± 0.25mm
0.0 mm ± 0.40mm
ANGULAR : ± 5°

FILE NAME : HARDWARE-0097