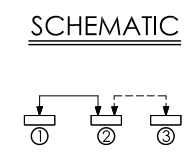
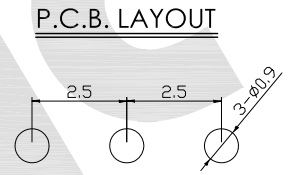
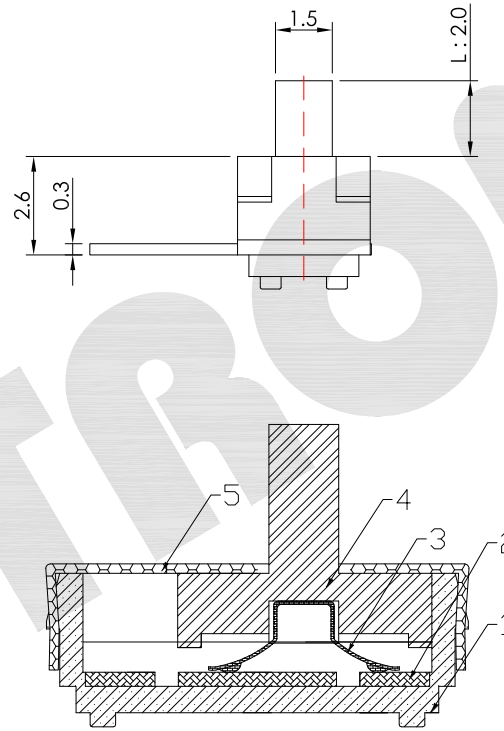
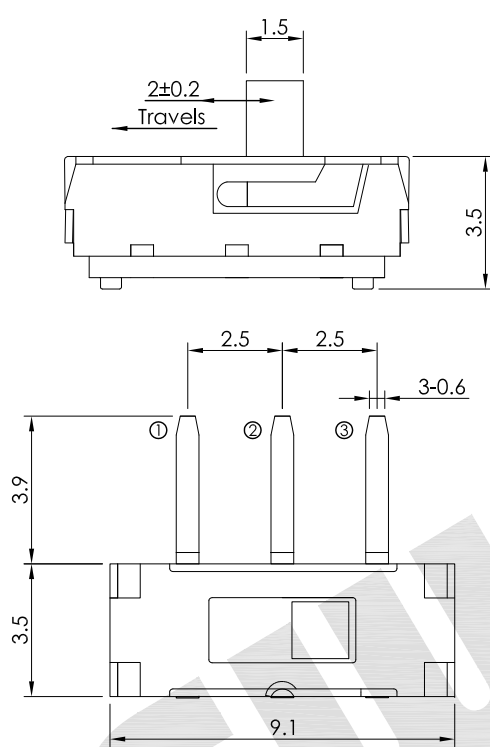


*開關產品未經SWITRONIC同意，請勿拆解，否則無法負品質及安全責任。
Please do not decompose the switch without any permission from SWITRONIC, otherwise the quality and safety responsibility could not be guaranteed.

*本圖面若與目錄之規格尺寸不符，以本圖面規格尺寸為主。
Below is our main specification if different from catalog.

RoHS compliant



RoHS compliant

ISH-1260X-HA-G

MODEL NO.	L
□	2.0
A	4.0



SPECIFICATION

Rating: 100mA 12V DC.
Contact resistance: 50mΩ Max.
Insulation resistance: 100MΩ Min.
Withstand voltage: 250V AC for 1 minute.
Operating temperature: -25°C ~ +70°C.
Operating force: 200±50g.
Life: 10,000 Cycles.
Soldering temperature: 250°C Max. for 3 seconds.
Soldering time: 1 time only.

Note1: Unwashable, don't be immersed by epoxy and organic solvent.
Note2: Please do not scale the drawing comparing to real product and kindly measure the size of real product.

MATERIAL

Base: PA6T, black. ①
Terminal: Phosphor bronze, silver. ②
Contact: Beryllium bronze, silver. ③
Stem: PA46, black. ④
Cover: SUS, original. ⑤

STORAGE METHOD

After opening the bag of the switches, please insert a desiccant into the bag, then seal it to avoid product oxidation.
打開包裝袋後，請在袋中加入乾燥劑並「密封」，避免產品氧化。

V2.0	無	新繪製	2019.12.23
版本 VER.	符號 SYMBOL	修改內容 ALTERATION	更新日期 DATE

產品 PRODUCT	Slide Switch		型號 MODEL NO.	ISH-1260-HA-G
製圖 DRAWN BY	核圖 CHECKED BY	主管 APPROVED BY	單位 UNIT	mm
Peter Kuo	Chuck Young	Margaret Lee	比例 SCALE	5 : 1
			公差 TOLERANCE	.X=±0.3mm, .XX=±0.2mm



一綺電子企業股份有限公司

總公司：110 台北市信義路四段415號13樓之3
13F-3, NO.415, SEC.4, HSIN YI ROAD, TAIPEI, TAIWAN
TEL : 886-2-27290229(Rep.) FAX : 886-2-27582086
URL : www.switronic.com E-MAIL : switches@ms36.hinet.net