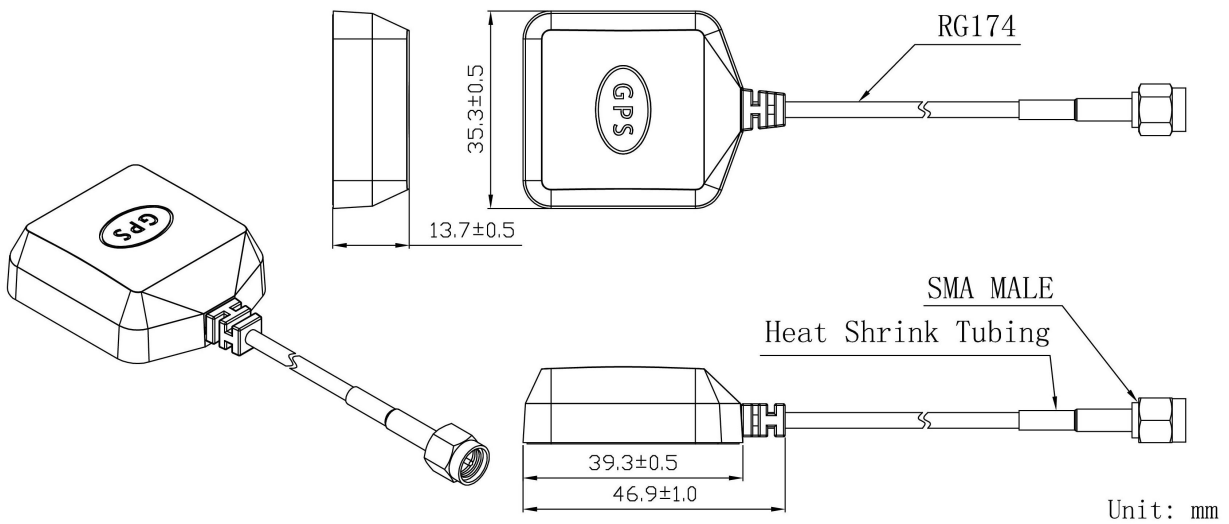


# GPS Passive Antenna JCA043



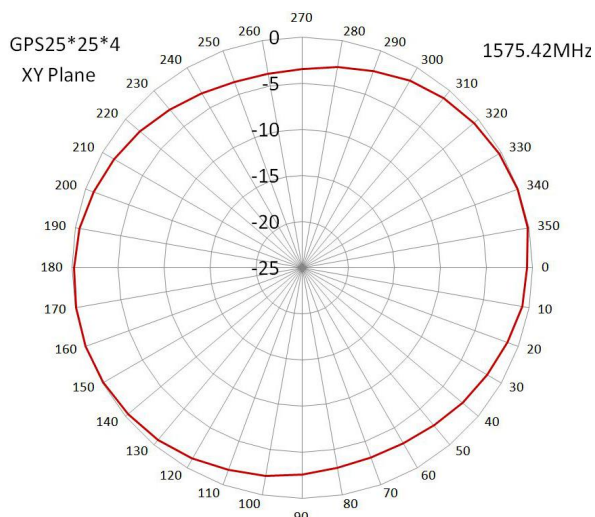
## DIMENSIONS



## SPECIFICATIONS

Item	Specifications	
Antenna	Center Frequency	1575.42±3MHz
	Band Width	CF±5MHz
	Polarization	RHCP
	Gain	3dBic (Zenith)
	V.S.W.R	<1.5
	Impedance	50 Ω
	Dimension	25*25*4mm
Mechanical	Cable	RG174
	Connector	SMA/MCX/FAKRA or others
	Radome Material	ABS
	Mounting Method	Magnet/Adhesive
Environmental	Operating Temperature	-40℃~+85℃
	Relative Humidity	Up to 95%
	Vibration	10 to 55Hz with 1.5mm amplitude 2hours
	Environmentally Friendly	ROHS Compliant

## Radiation Pattern



JIAXING JINCHANG ELECTRONIC TECHNOLOGY CO.,LTD

Add: 398#, Zhenye Road, South Street, Jiaxing, Zhejiang, China

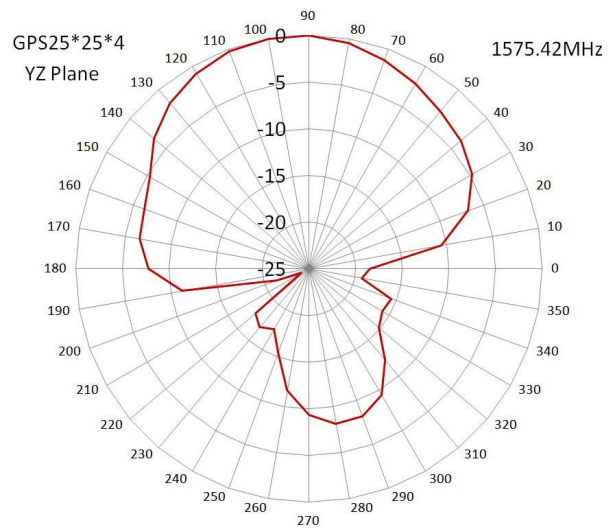
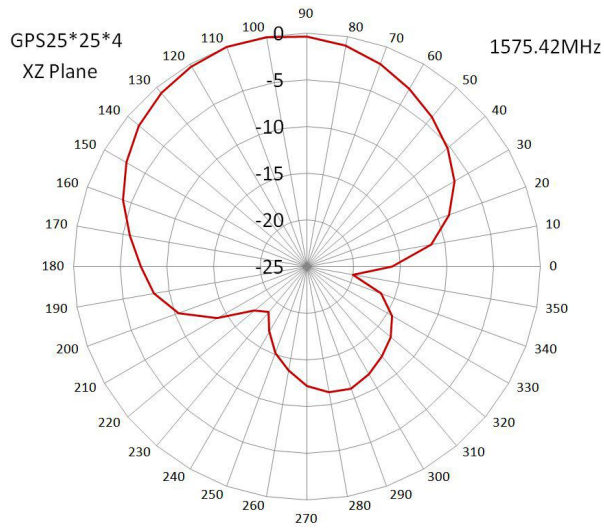
Http://www.jinchanggps.com

E-mail:jcgps@vip.163.com

Tel: 86-0573-83692157/83692605/83958637 Fax:86-0573-83958635



Jinchang Electron Global Service



**JIAXING JINCHANG ELECTRONIC TECHNOLOGY CO.,LTD**

Add: 398#,Zhenye Road, South Street, Jiaxing, Zhejiang, China

[Http://www.jinchanggps.com](http://www.jinchanggps.com)

E-mail:[jcgps@vip.163.com](mailto:jcgps@vip.163.com)

Tel: 86-0573-83692157/83692605/83958637 Fax:86-0573-83958635