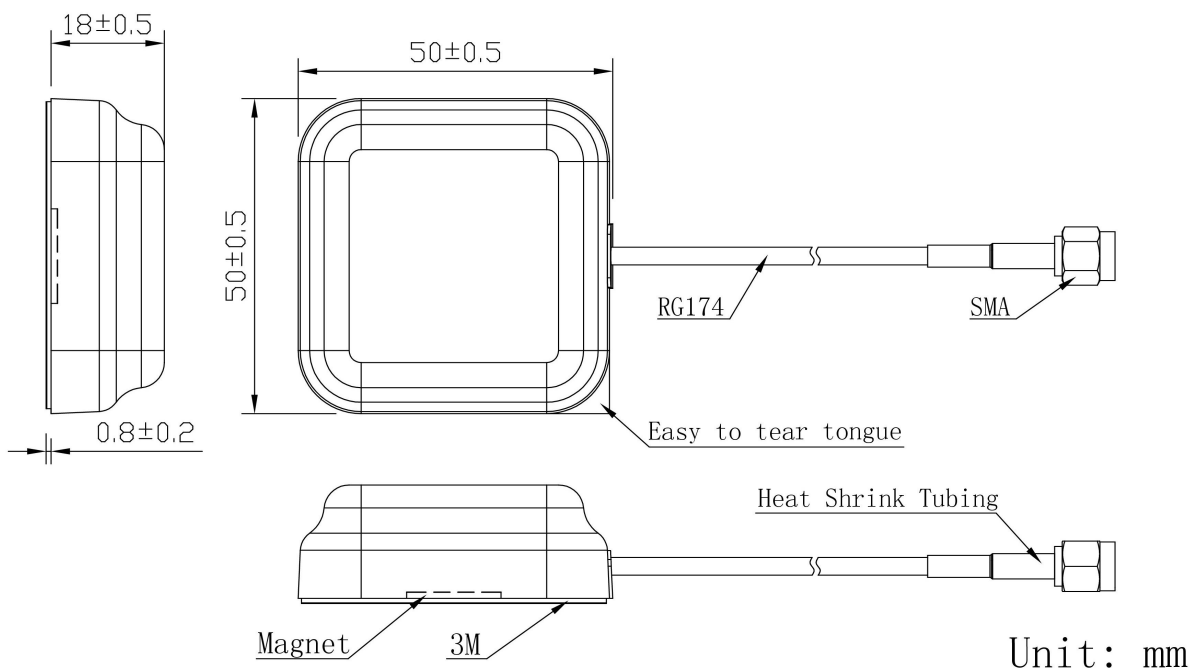


# Dual Band High Accuracy GNSS Active Antenna JCA236D



## DIMENSIONS



**JIAXING JINCHANG ELECTRONIC TECHNOLOGY CO.,LTD**

Add: 398#, Zhenye Road, South Street, Jiaxing, Zhejiang, China

Http:// [www.jinchanggps.com](http://www.jinchanggps.com)

E-mail: [jcgps@vip.163.com](mailto:jcgps@vip.163.com)

Tel: 86-0573-83692157/83692605/83958637 Fax: 86-0573-83958635

**SPECIFICATIONS**

Item		Specifications
Antenna(2+2pins)	Frequency	High Band BDS-B1/GPS-L1/GLONASS-G1:1561.098~1602MHz  Low Band GPS-L5:1176MHz
	Polarization	RHCP
	Axial Ratio(min)	≤3dB (Zenith)
	V.S.W.R	≤2.0
	Gain	≥2dBic@PCB (Zenith)
	Impedance	50 Ω
LNA	Gain	28 ± 2dB
	Noise Figure	≤1.0dB
	Supply Voltage	3~5V DC
	Current Consumption	≤45mA
	V.S.W.R	≤2.0
Mechanical	Connector	SMA or others
	Cable	RG174
	Mounting Method	Magnet/Adhesive
Environmental	Operating Temperature	-40℃~+85℃
	Relative Humidity	Up to 95%
	Ingress Protection	IP67
	Vibration	10 to 55Hz with 1.5mm amplitude 2hours
	Environmentally Friendly	ROHS Compliant