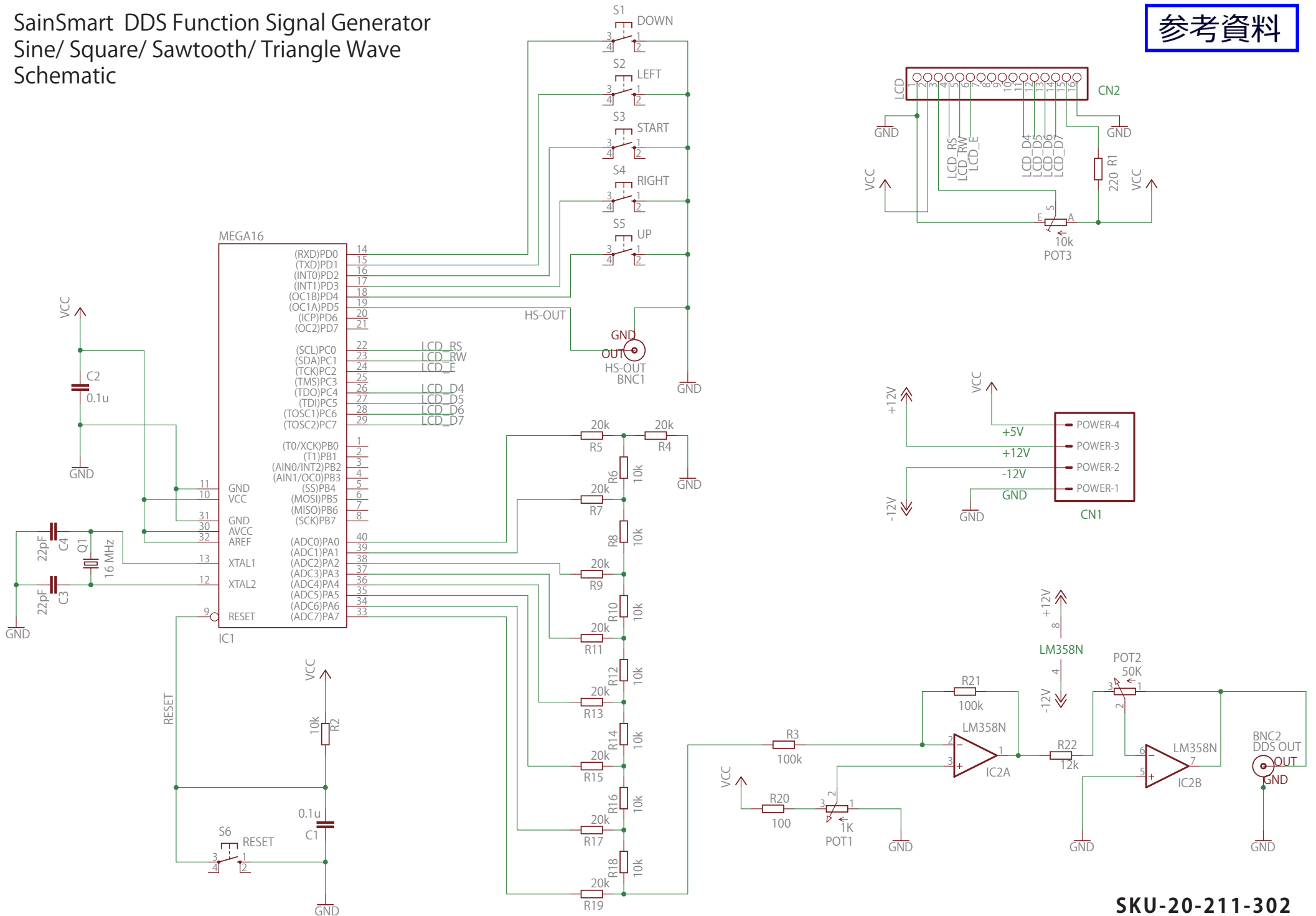


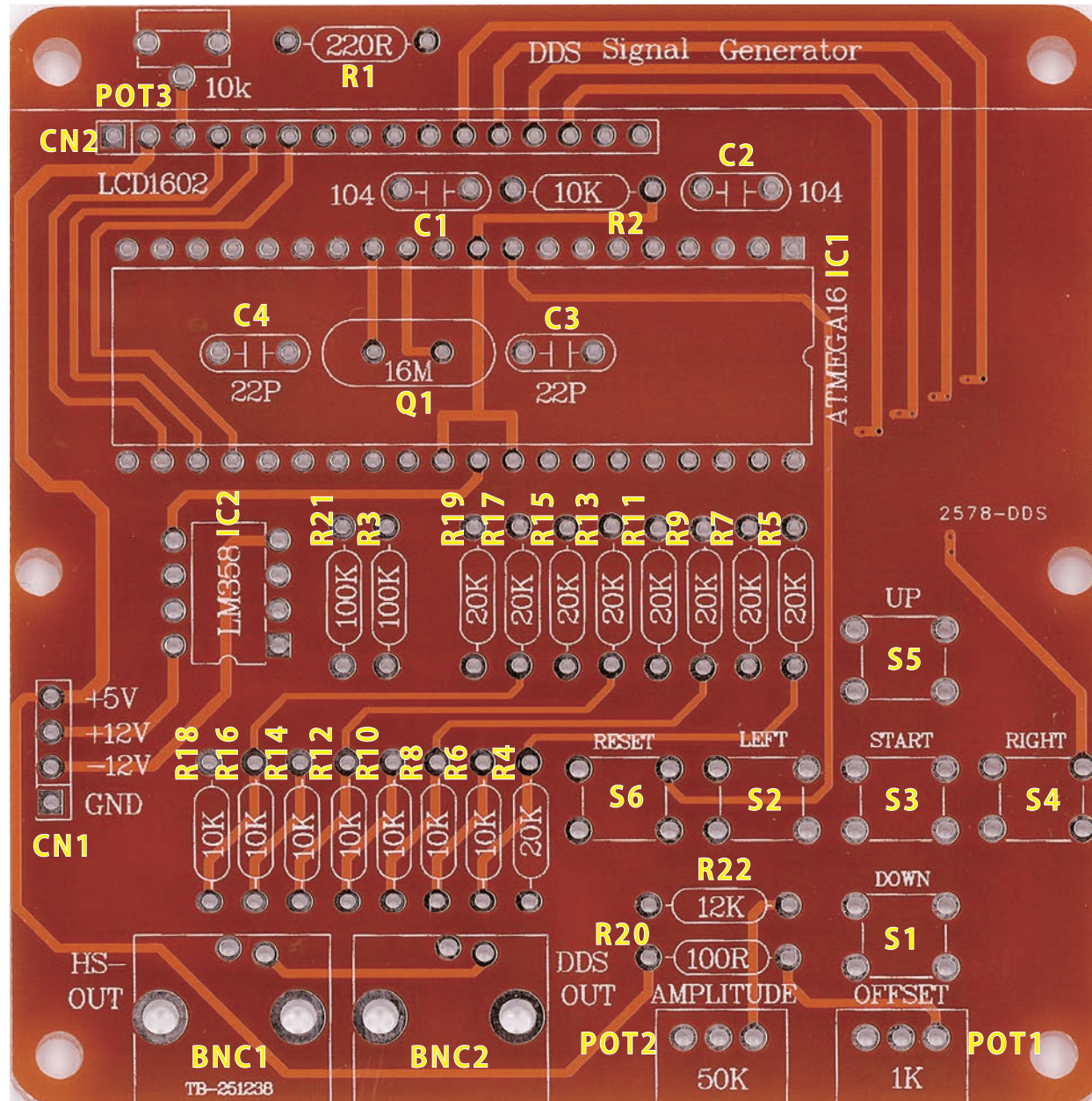
SainSmart DDS Function Signal Generator Sine/ Square/ Sawtooth/ Triangle Wave Schematic

參考資料



SKU-20-211-302

SainSmart DDS Function Signal Generator
 Sine/ Square/ Sawtooth/ Triangle Wave
 Board layout and Parts number



SKU-20-211-302