



SPL (HONG KONG) LIMITED

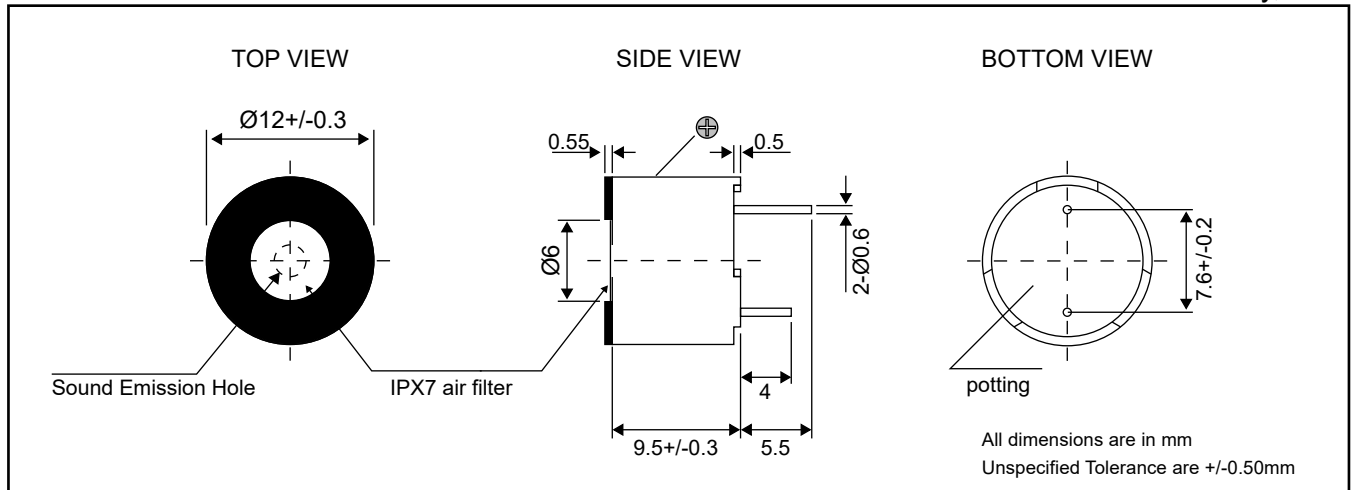
香港九龍觀塘鴻圖道57號南洋廣場17樓1703B室
Room 1703B, 17/F., Nanyang Plaza, No.57 Hung To Road, Kwun Tong, Kowloon, HK.
Tel: 852-2342 6857 / 2342 6867 Fax: 852-2342 6847 Email: sales@spl-hk.com.hk
Website: www.buzzer.com.hk

Magnetic Buzzer

SMB03 series

DIMENSIONS

Date : 02 May,2024



Ref No. : PBDC2801A

Remark : IPX7, washable, wave soldering



ELECTRICAL SPECIFICATIONS

Model No.		MB03-A12L3HPR
Operating Voltage	[VDC]	9 ~ 13
Rated Voltage	[VDC]	12
* Max. Rated Current	[mA]	30
* Min. Sound Output	[dBA / 10cm]	88
* Frequency	[Hz]	2300 +/- 300
Tone Nature		Single
Heat Test		Must Be Normal [80 +/- 2 °C, 96 Hours]
Cold Test		Must Be Normal [-30 +/- 2 °C, 96 Hours]
Humidity Test		55 +/- 5 °C, 92 ~ 97% R.H. 96 Hours
Operating Temperature	[°C]	-20 ~ +70
Storage Temperature	[°C]	-30 ~ +80
Terminal		Pin
Housing Material		PBT
Colour		Black
Weight	[gm]	2 +/- 0.3

*Value applying at rated voltage