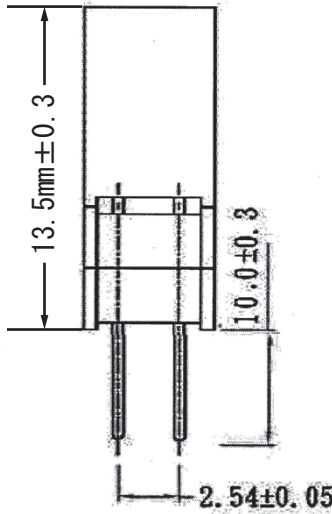
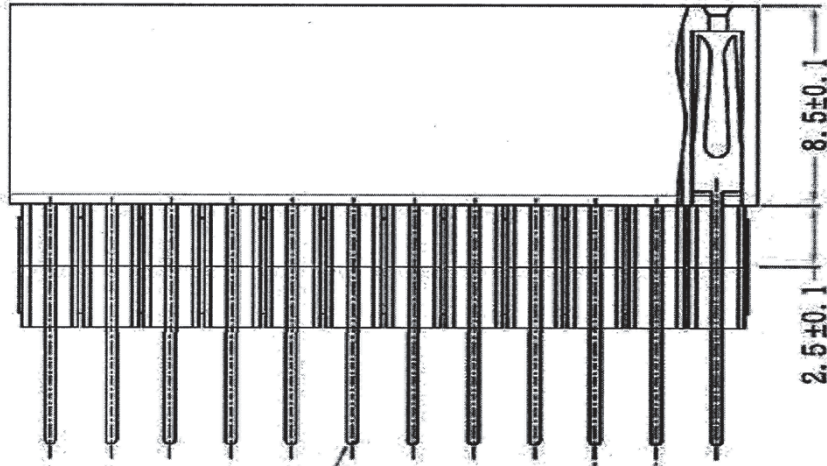
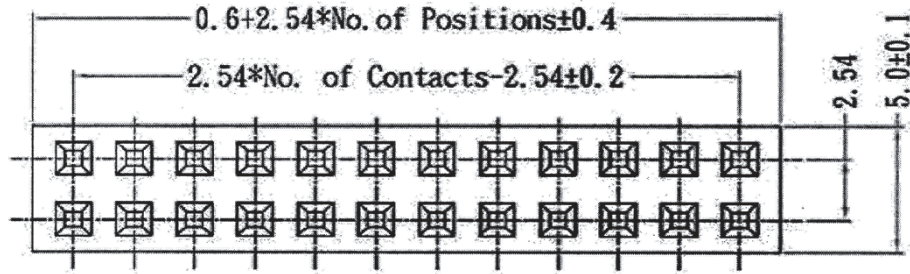


RoHS Compliant

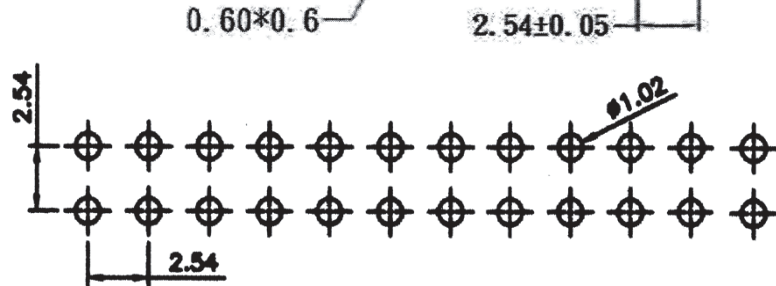


Material :

Insulator : Glass Fiber PBT, UL 94V-0
Contact : Phosphor Bronze

Specification :

Current : 3 Amp
Insulation Resistance : 5,000 MΩ min.
Contact resistance : 20 mΩ max.
Dielectric Voltage : AC 500V for 1 minute
Operation temperature : - 40°C ~ + 105°C



Recommended PCB Layout

E				Drawn:	General Tolerance		
D					.0	.00	.000
C				Checked:			
B					Unit : mm		
A	7-Apr-16	new release	David	Appraisal:	Scale :		
Rev.	Date	File	BY		Sheet : 1/1		



Useworld Technology
Enterprise Ltd.

Part No.	MFH-2xXXSG-2-10
File No.	MFH-2xXXSG-2-10

Title: 2.54mm Multi-Layer Female Socket, Dual row, Straight with 2 layers Insulator, bare contact 10mm PCB end