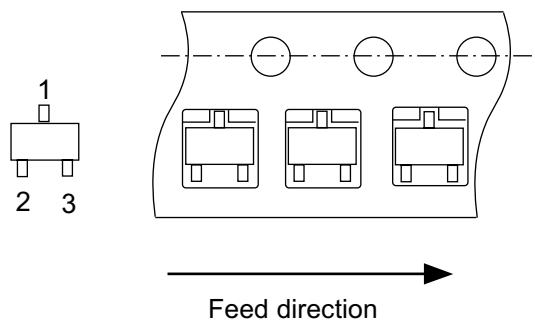
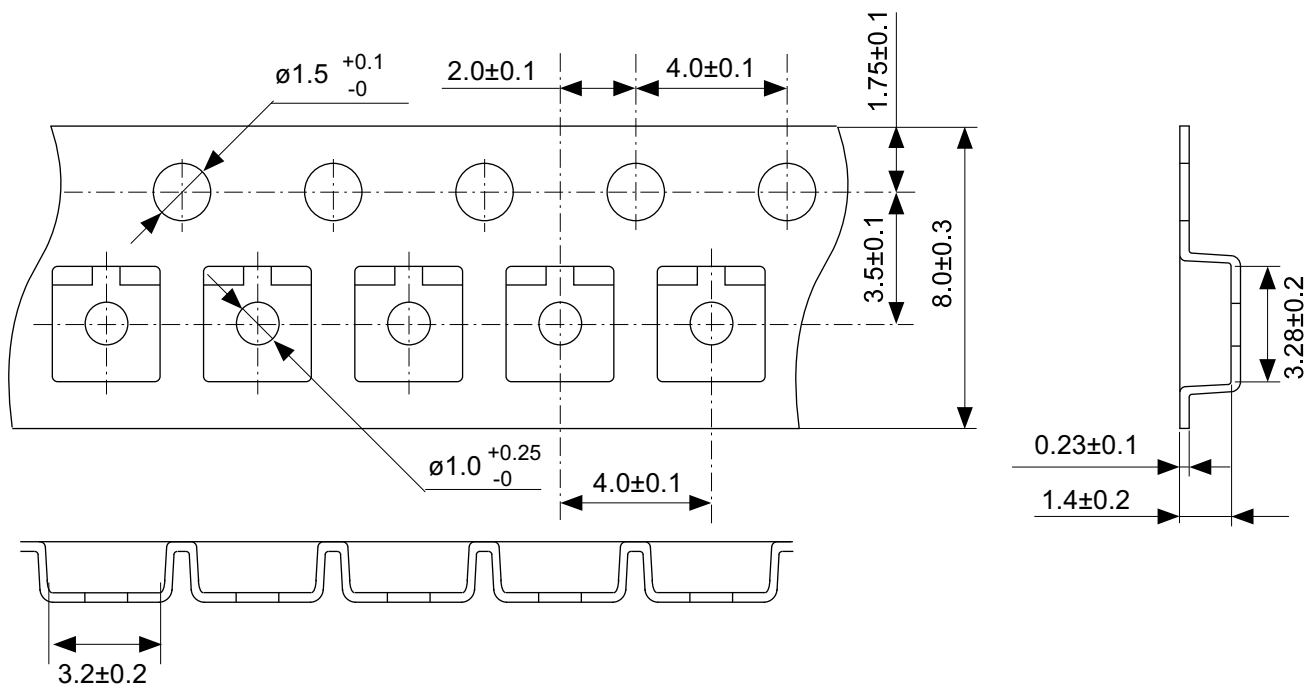


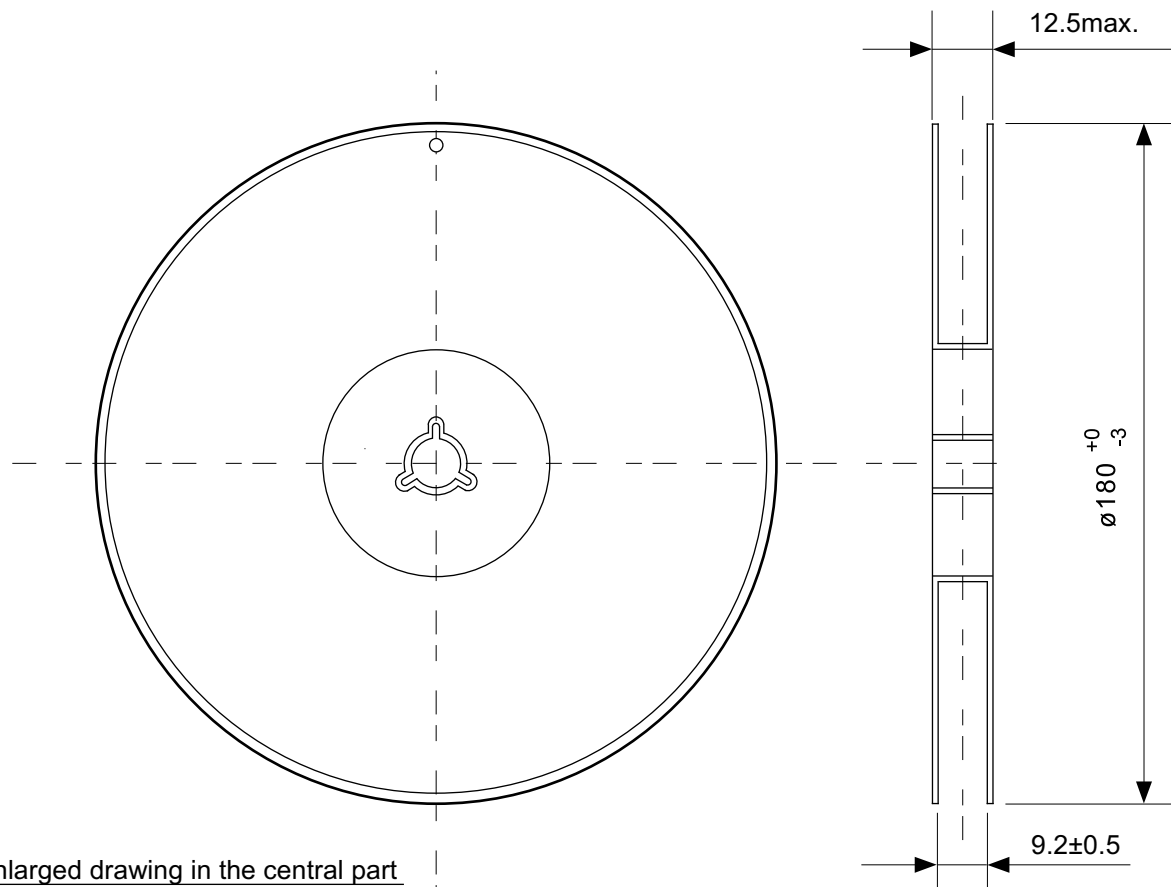
No. MP003-C-P-SD-1.0

| | |
|-------------------------------|-------------------------|
| TITLE | SOT233-C-PKG Dimensions |
| No. | MP003-C-P-SD-1.0 |
| SCALE | |
| UNIT | mm |
| SII Semiconductor Corporation | |

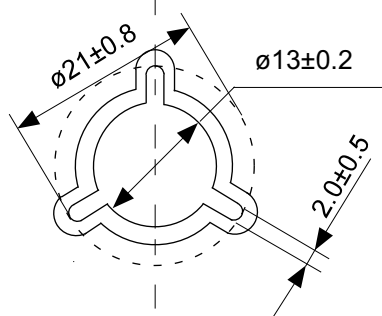


No. MP003-C-C-SD-2.0

| | |
|-------------------------------|-----------------------|
| TITLE | SOT233-C-Carrier Tape |
| No. | MP003-C-C-SD-2.0 |
| SCALE | |
| UNIT | mm |
| SII Semiconductor Corporation | |

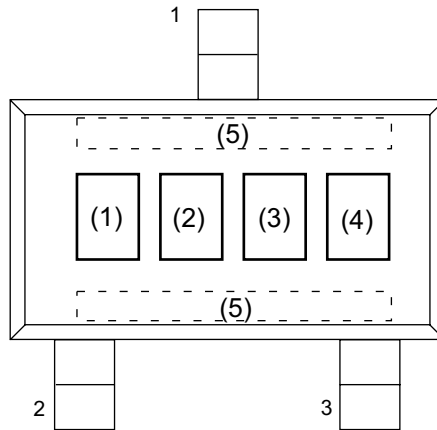


Enlarged drawing in the central part



No. MP003-Z-R-SD-1.0

| | | | |
|-------------------------------|------------------|------|-------|
| TITLE | SOT233-C-Reel | | |
| No. | MP003-Z-R-SD-1.0 | | |
| SCALE | | QTY. | 3,000 |
| UNIT | mm | | |
| | | | |
| SII Semiconductor Corporation | | | |



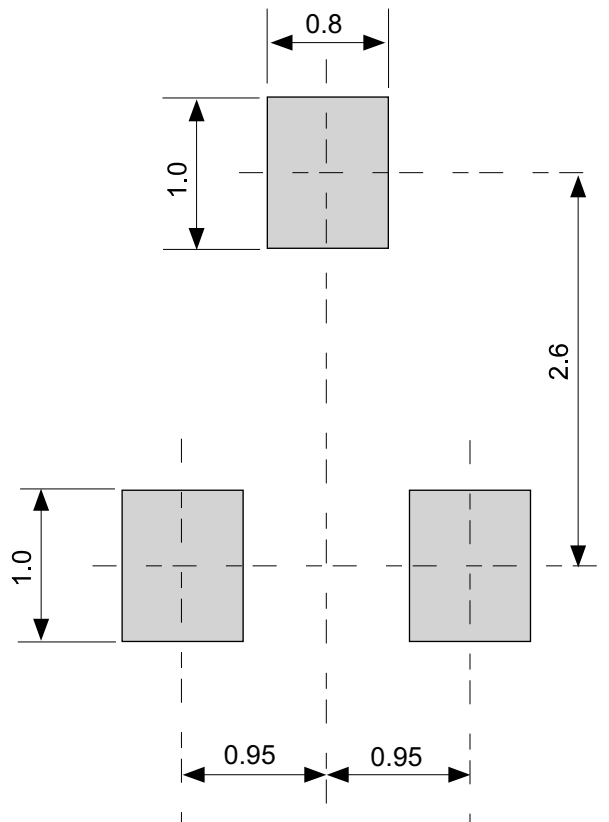
(1) to (3) : Product code

(4) : Month of assembly

(5) : Dot on one side (Year and week of assembly)

No. MP003-A-M-S1-1.1

| | | | |
|-------------------------------|-------------------|------|-------|
| TITLE | SOT233-C-Markings | | |
| No. | MP003-A-M-S1-1.1 | | |
| SCALE | | | |
| UNIT | | TYPE | LASER |
| | | | |
| SII Semiconductor Corporation | | | |



No. MP003-A-L-SD-1.1

| | |
|-------------------------------|----------------------------------|
| TITLE | SOT233-C -Land Recommendation |
| No. | MP003-A-L-SD-1.1 |
| SCALE | |
| UNIT | mm |
| | |
| SII Semiconductor Corporation | |