

参考資料

Material

Housing : LCP, UL 94V-0

Shell : Brass

Terminal : Brass

Specification

Current Rating : 1 Amp

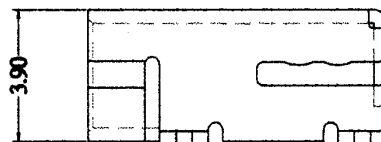
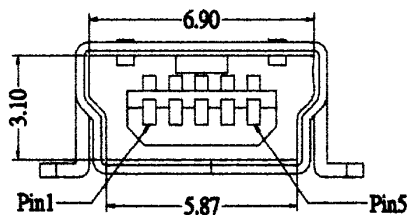
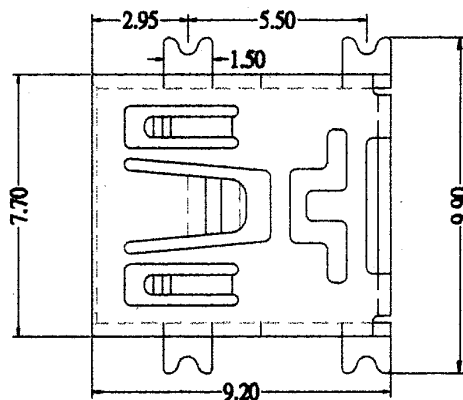
Voltage Rating : 30V AC

Insulation Resistance : 100M ohm min.

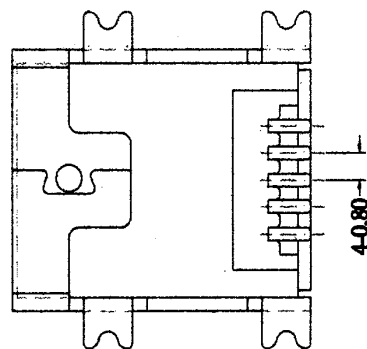
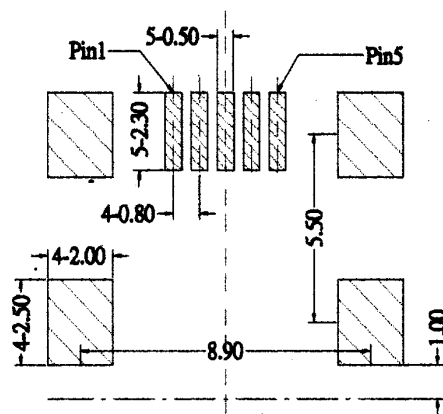
Contact Resistance : 50m Ohm max.

Withstanding Voltage : 300V AC for 1 minute

Operation Temperature Range : - 55°C ~ + 105°C



P.C.B LAYOUT MOUNTING PATTERN



E				Drawn	General Tolerance			Akizuki Denshi Tsusho Co., Ltd.		
D					.0	.00	.000			
C				Checked	± 0.20	± 0.15	± 0.05	Title : Mini USB Connector 5P B type, Female, SMT type, without standoff		
B					Unit : mm					
A				Appraisal	Scale :			Part No. C - 02107		File No. : UIC-MUSB-5BF02AS-N
Rev.	Date	File	BY		Sheet : 1/1					