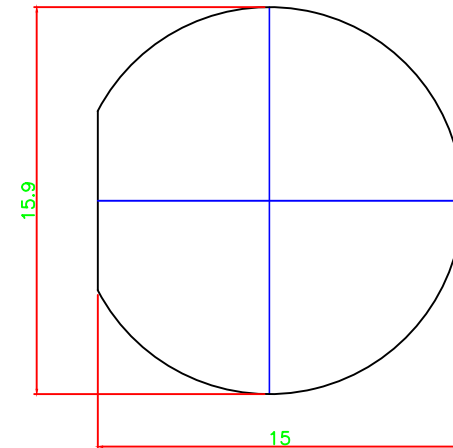


RECOMMENDED MOUNTING HOLES



NO	Items	Specs
1	Impedance	50Ω
2	Frequency	DC~11GHz
3	Working Voltage	1000V rms
4	Dielectric Withstanding Voltage	1000V rms
5	Insulation Resistance	5G Ω Min
6	Contact Resistance	Center contact ≤ 2.0mΩ Outer contact ≤ 0.5mΩ
7	Temperature Range	-55°C ~ +165°C
8	Mating	Screw-On
9	Durability	500 Matings
10	Material/Finish	All RoHS Compliant

NO	Description	Material	Finish
1	Body	Brass	Nickel
2	Contact	Brass	Gold
3	Insulator	Teflon	—
4	Nut	Brass	Nickel
5	Solder Lug	Brass	Nickel

Dimensions Are in Millimeters  
Unless Otherwise Specified  
Tolerances

0.5-6	= ± 0.2
6-30	= ± 0.4
30-120	= ± 0.6
120-315	= ± 1.0
315-1000	= ± 1.6
1000-2000	= ± 2.4

**ROHS COMPLIANT**

**COSMTEC** COSMTEC RESOURCES CO., LTD

DRAFT      CHECKED      APPROVED

The Drawing Contains Information That Is Proprietary To Cosmtec Resources Co., Ltd And Should Not Be Used Without Written Permission.      www.cosmtec.com

Part No.	N-010-TGN		
Title:	N JACK SOLDER BULKHEAD T.G.N.		
DATE:	SCALE:	UNIT	REV
SEP/22/2016	1:1	m/m	A