



## Addressable LED Neon strip



1 Years Warranty

.....

### Product Description

Addressable LED Neon flex side emitting  
silicon material with uniform light distribution without light dot  
cutting unit 31.25mm and minimum bending diameter is 60mm  
SMD RGB LED chip with Micro IC built in ,individually control  
High UV & salt spray corrosion resistance IP65 for outdoor  
1m per reel ,2pcs mounting clips per reel included

#### Application

mini Signage and illuminated adverting  
Casino Coin machine  
car decorative lighting

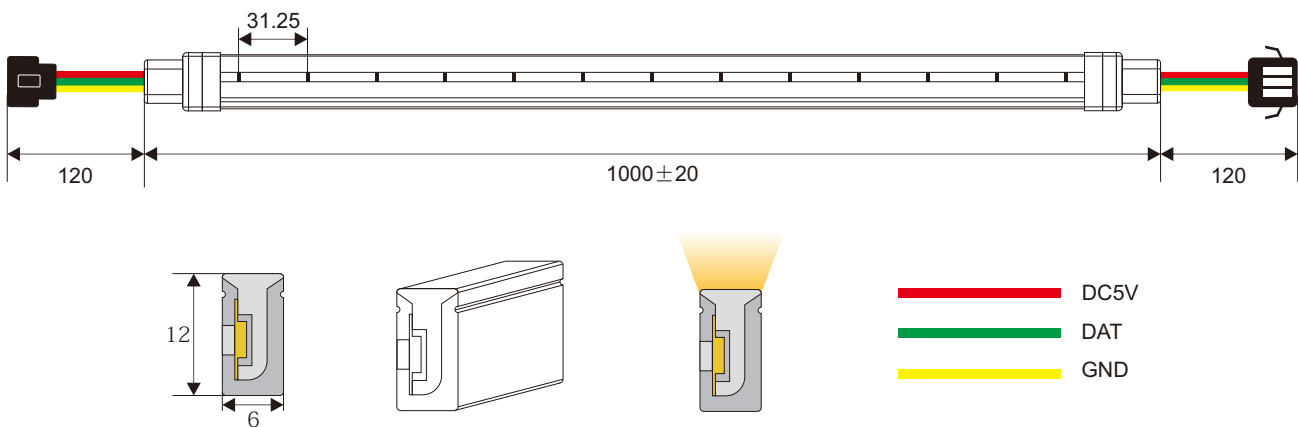




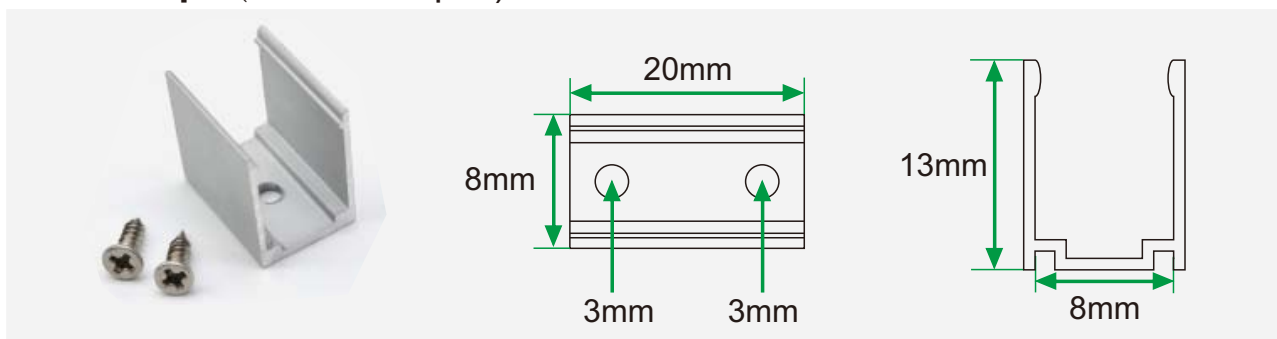
## Product Datasheet

P/N	N006096YA3SF
Luminance (LM/M)	R: 20 G: 53 B: 8
Dimension	L: 1000MM* W: 6MM* H:12 MM
Material	Silicon
LED Type	SMD RGB
LED Quantity	96 leds/m
Operating Voltage	DC5V
Wattage / Meter	13W/M
IP Level	IP65
Operation Temperature	-30°C ~ 45°C
Pixel/M	96Pixels-SPI
Net Weight	0.2kg/roll (1m)
Color Sequence	RGB

## Outline Dimension (MM)

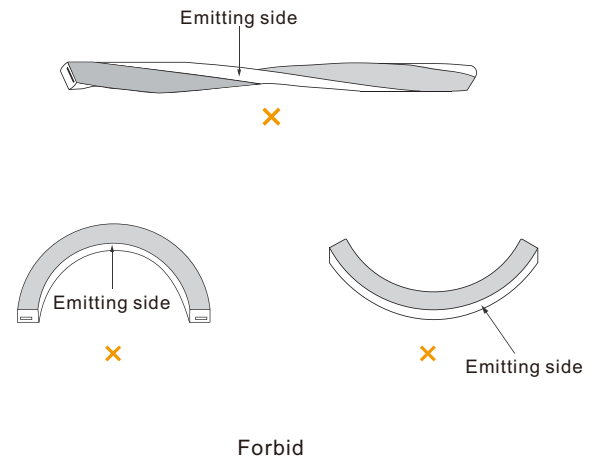
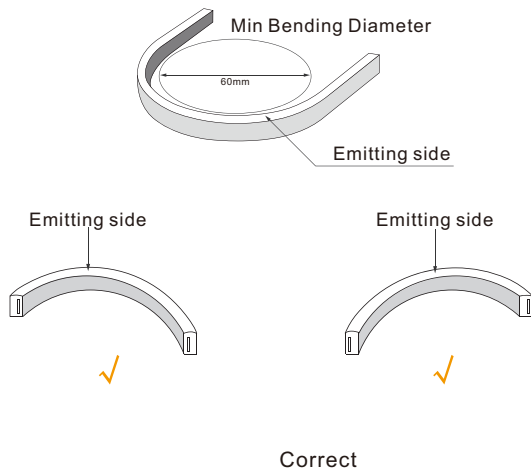


## Mount clips ( Included 6pcs)

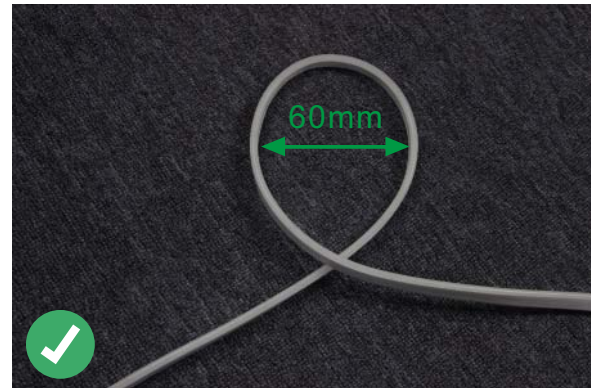




## Correct bending way



Face to the lighting surface and fold the strip.  
The minimum bending diameter is 80mm



Lighting surface upwards and the strip can be bended to right or left naturally, The theminimum bending diameter is 100mm

## Incorrect bending way



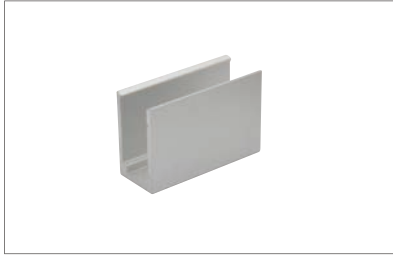
Face to the side surface(as the picture shows),Do not bend it downward to damage the strip.



(as the picture shows) please do not twist the strip, or it will be damaged



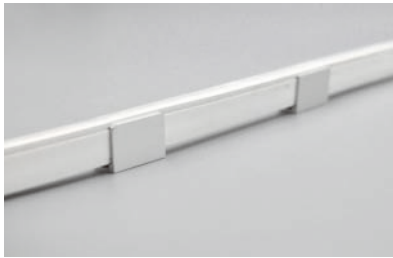
## Installation



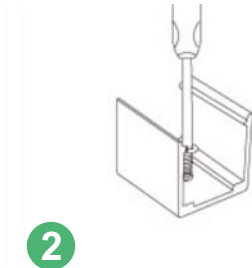
clips  
20x8x13mm(LxWxH)



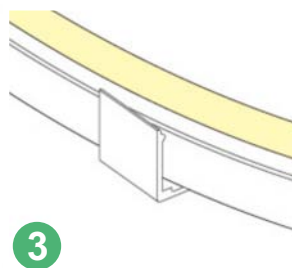
profile  
1000x8x13mm(LxWxH)



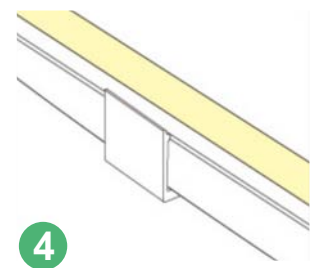
1



2



3



4

## Accessory(Excluded)

Name	Aluminum clip	Aluminum card slot	Silicone glue	Front cap	Front cap
Illustration					
Remarks	L: 20 mm	L: 1000 mm	10 ml / pc		



## Connection

